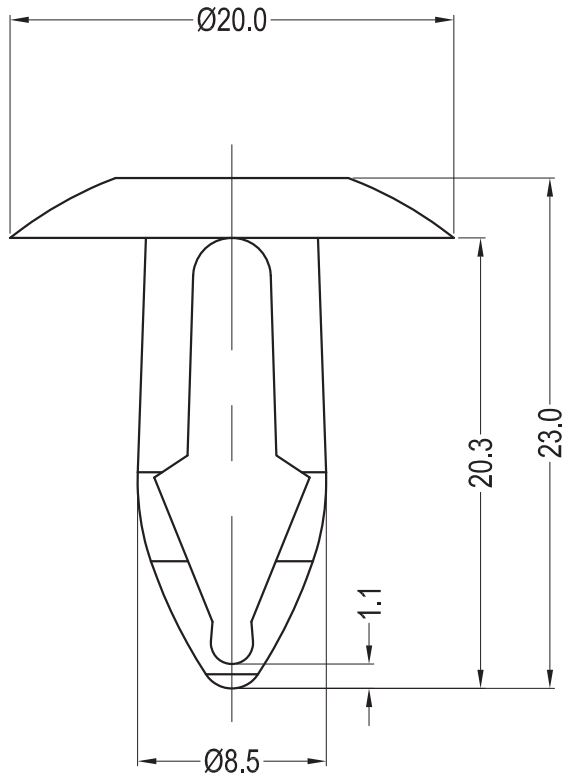
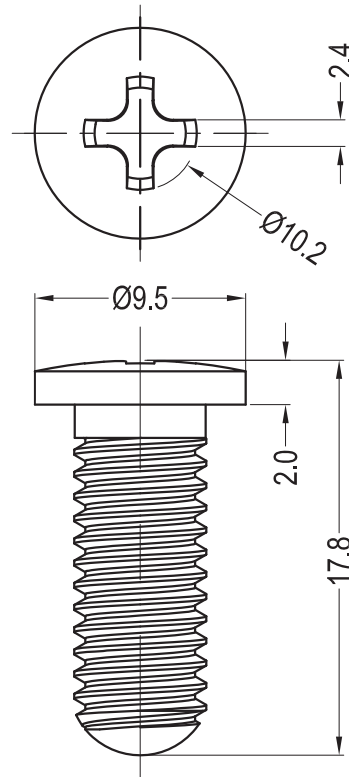


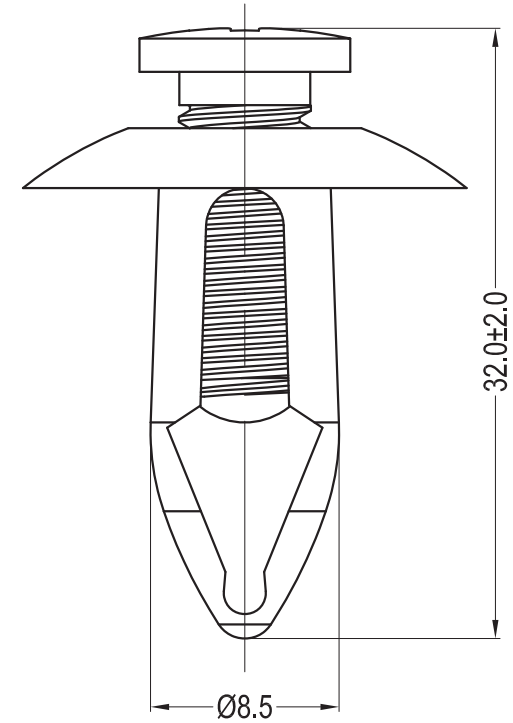
Body



Pin



Assembly Part



Part No.	Article No.	Color
10000	GA7720B	Black
10021	GA7720W	White

Notes:

1. Material: PA6 UL94V2 (Body)
POM UL94HB (Pin);
2. RoHS Compliant;
3. Hole: $\text{Ø}8.0 \pm 0.08\text{mm}$;
Panel Thickness: 3.5-4.5mm.

Americom GmbH https://americom.de						americom Komponenten die verbinden		DATE	2021-9-26	DIMENSION	TOLERANCE
TITLE	SCREW RIVETS					SCALE	FIT	L ≤ 4	±0.10		
ARTICLE NO.	GA7720	MOLD NO.	S0191/192	DRAW	PLK	UNIT	MM	4 < L ≤ 15	±0.20		
PART NO.	SEE TABLE	MATERIAL	SEE NOTES	DESIGN	PLK	VERSION	A0	15 < L ≤ 50	±0.30		
DWG NO.	E1006	COLOR	SEE TABLE	APPROVAL	FDL	VIEW		50 < L ≤ 100	±0.40		