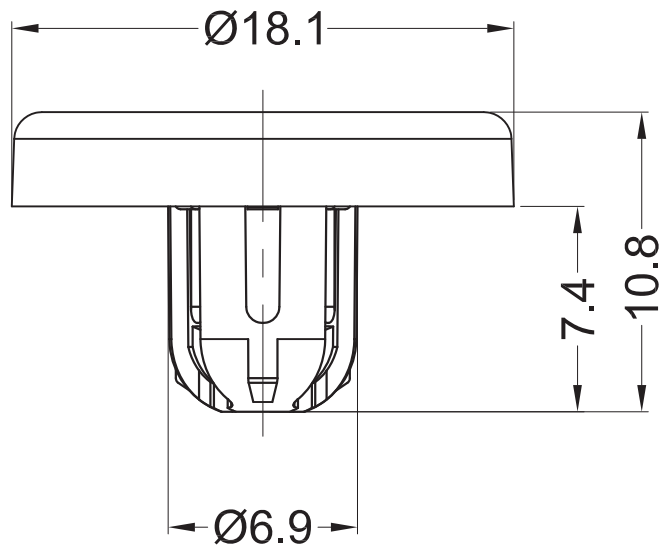
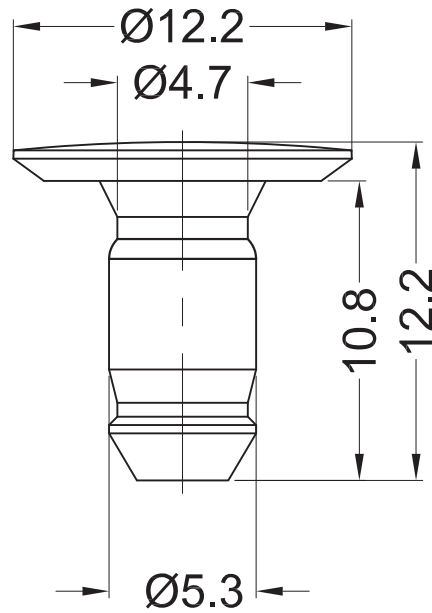


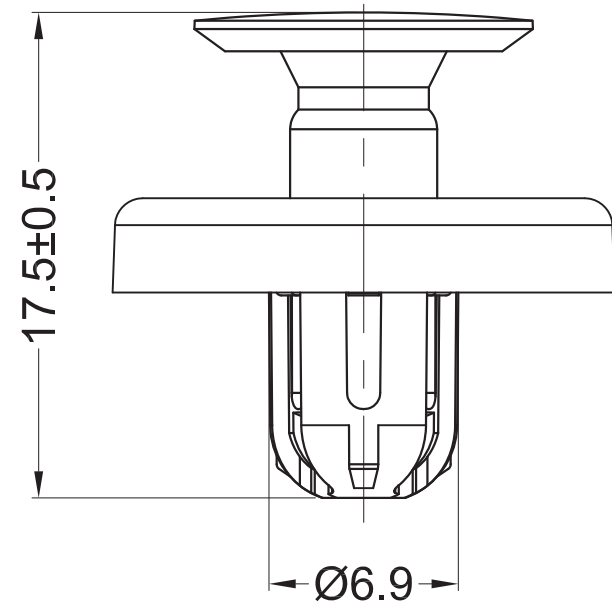
Body



Pin



Assembly Part



Notes:

- 1. Material: POM UL94HB;
- 2. Color: Black;
- 3. RoHS Compliant;
- 4. Hole: $\text{Ø}7.2 \pm 0.08 \text{mm}$;
Panel Thickness: 3.0-4.0mm.

Americom GmbH https://americom.de								DATE	2021-9-18	DIMENSION	TOLERANCE
TITLE	PUSH LOCK RIVETS					SCALE	FIT	$L \leq 4$	± 0.10		
ARTICLE NO.	GA6807B	MOLD NO.	S0435/S0436/S1193/S1194	DRAW	PLK	UNIT	MM	$4 < L \leq 15$	± 0.20		
PART NO.	10020	MATERIAL	SEE NOTES	DESIGN	PLK	VERSION	A0	$15 < L \leq 50$	± 0.30		
DWG NO.	E1028	COLOR	SEE NOTES	APPROVAL	FDL	VIEW		$50 < L \leq 100$	± 0.40		