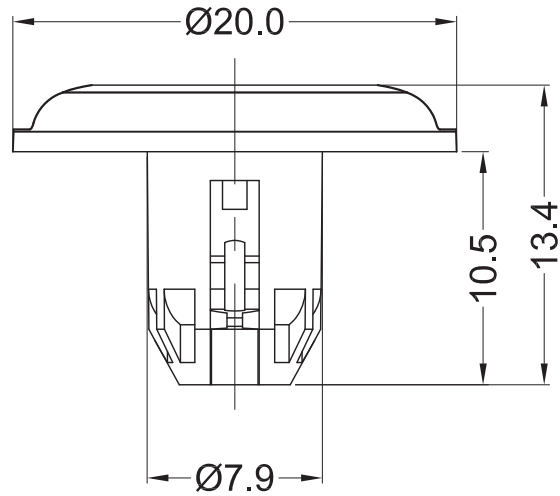
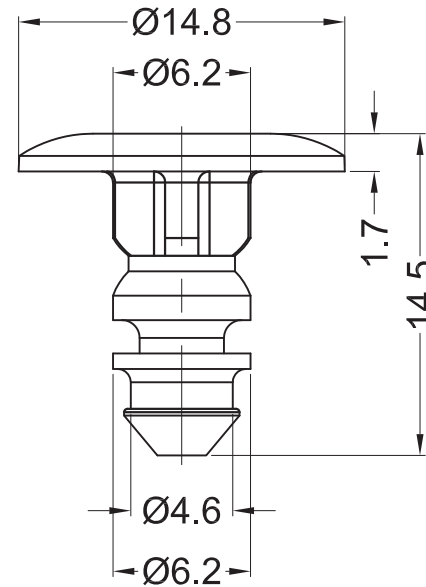


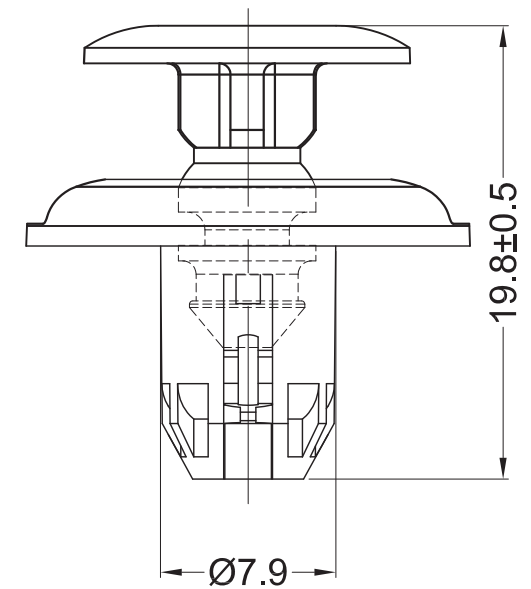
Body



Pin



Assembly Part



Notes:

1. Material: POM UL94HB (Body)
PP UL94HB (Pin);
2. Color: Black;
3. RoHS Compliant;
4. Hole: $\text{Ø}8.0 \pm 0.08 \text{ mm}$;
Panel Thickness: 2.5-5.0 mm.

Americom GmbH
<https://americom.de>

americom
Komponenten die verbinden

DATE	2021-9-26	DIMENSION		TOLERANCE	
SCALE	FIT	$L \leq 4$		± 0.10	
UNIT	MM	$4 < L \leq 15$		± 0.20	
VERSION	A0	$15 < L \leq 50$		± 0.30	
VIEW		$50 < L \leq 100$		± 0.40	

PUSH LOCK RIVETS					
ARTICLE NO.	GA7911B	MOLD NO.	S0470/S0471/S1168/S1169	DRAW	PLK
PART NO.	10023	MATERIAL	SEE NOTES	DESIGN	PLK
DWG NO.	E1030	COLOR	SEE NOTES	APPROVAL	FDL