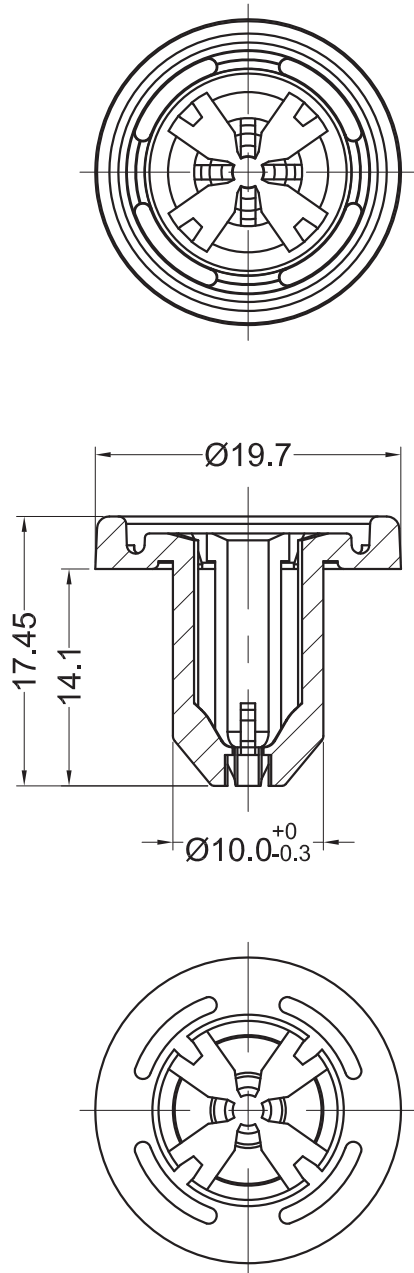
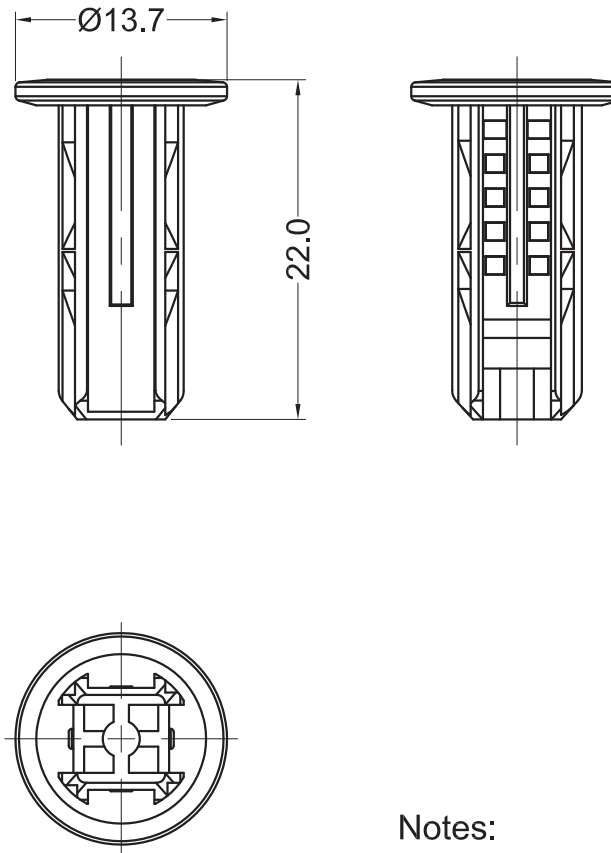


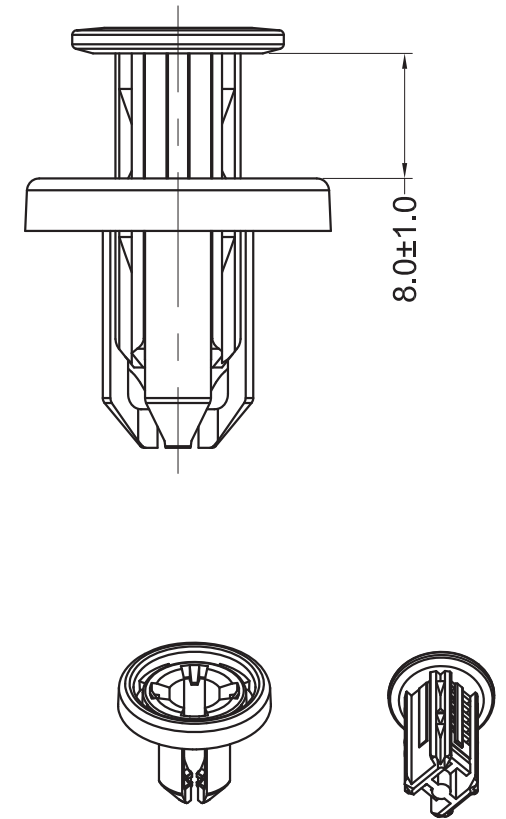
Body



Pin




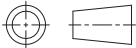
Assembly Part



1:2

Notes:

- 1.RoHS Compliant;
- 2.Hole: $\varnothing 10.0 \pm 0.08$ mm,
- Panel Thickness: 5.0-9.0mm;

Americom GmbH https://americom.de						 Komponenten die verbinden		DATE	2021-9-28	DIMENSION	TOLERANCE
TITLE	PUSH LOCK RIVETS					SCALE	FIT	$L \leq 4$	± 0.10		
ARTICLE NO.	GA100140B	MOLD NO.	/	DRAW	JF	UNIT	MM	$4 < L \leq 15$	± 0.20		
PART NO.	21555	MATERIAL	POM UL94HB	DESIGN	JF	VERSION	A0	$15 < L \leq 50$	± 0.30		
DWG NO.	E2396	COLOR	BLACK	APPROVAL	FDL	VIEW		$50 < L \leq 100$	± 0.40		