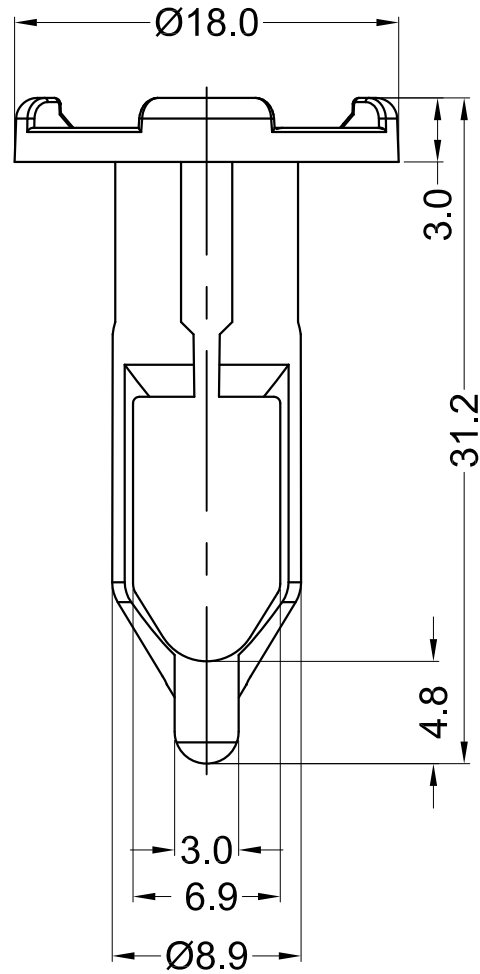
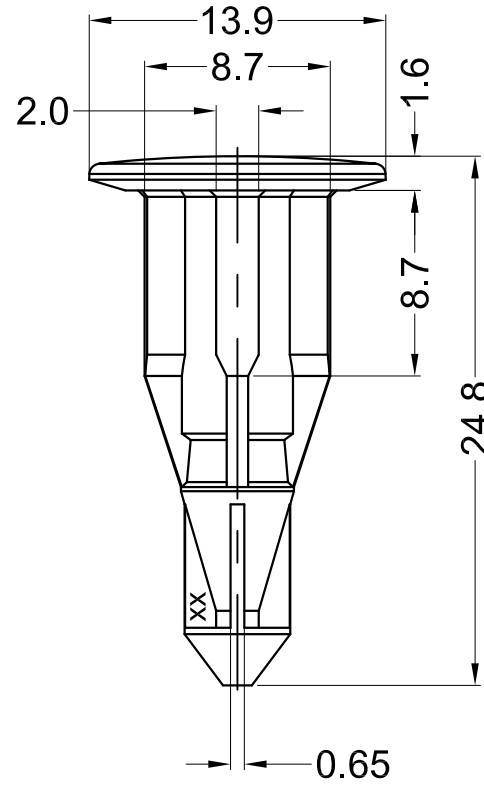


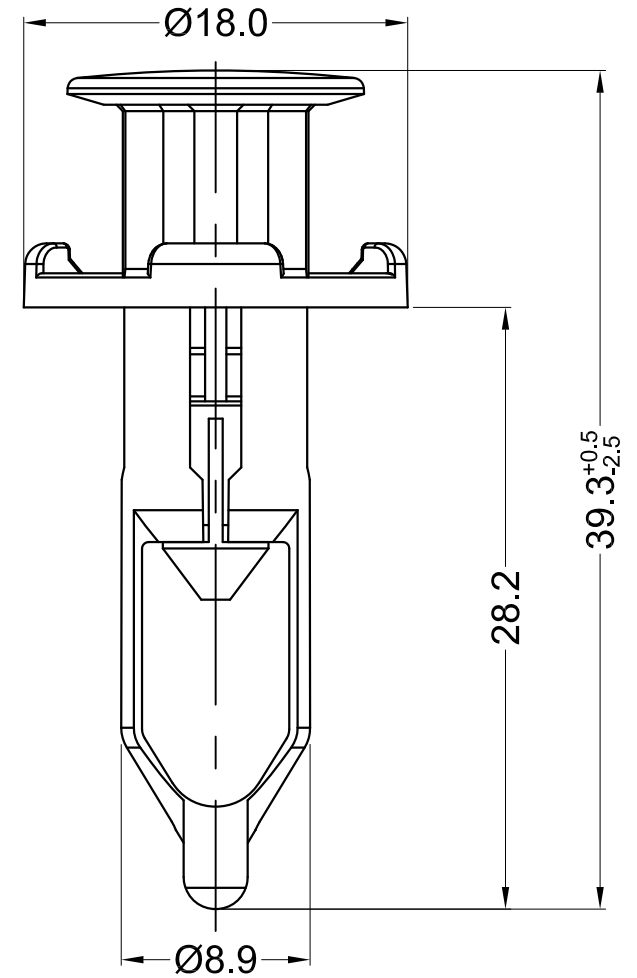
### Body



### Pin



### Assembly Part



#### Notes:

1. Material: POM UL94HB (Body)  
PBT+GF UL94 V0 (Pin);
2. Color: Black;
3. RoHS Compliant;
4. Hole: Ø9.0±0.08mm;  
Panel Thickness: 3.8-4.8mm.

Gecko International Co.						DATE	2021-9-18	DIMENSION	TOLERANCE
TITLE	PUSH LOCK RIVETS					SCALE	FIT	L ≤ 4	±0.10
ARTICLE NO.	GA8928B	MOLD NO.	S0410/S0411/S1202/S1203	DRAW	PLK	UNIT	MM	4 < L ≤ 15	±0.20
PART NO.	10019	MATERIAL	SEE NOTES	DESIGN	PLK	VERSION	A0	15 < L ≤ 50	±0.30
DWG NO.	E1026	COLOR	SEE NOTES	APPROVAL	FDL	VIEW		50 < L ≤ 100	±0.40