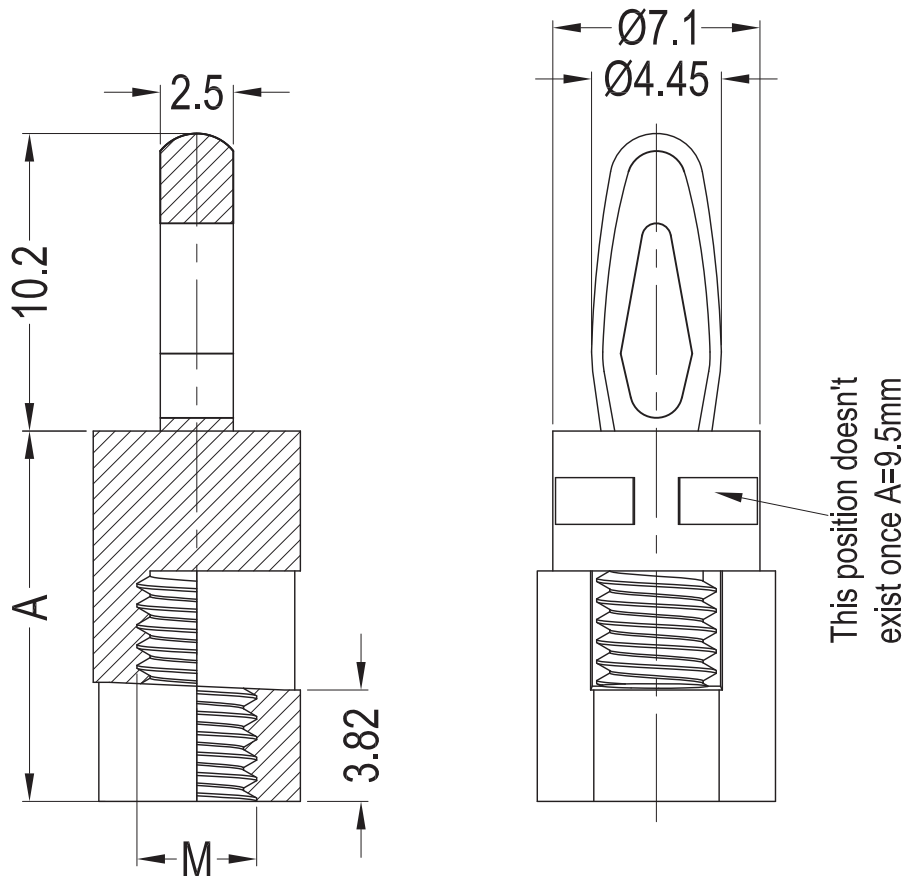
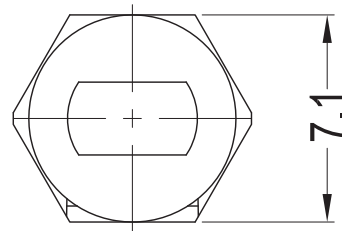


Part No.	Part Name	Part No.	Part Name	A
42415	GCBS-TF-6-01	42421	GCBS-TF-M4-6-01	9.5
42416	GCBS-TF-8-01	42422	GCBS-TF-M4-8-01	12.7
42417	GCBS-TF-10-01	42423	GCBS-TF-M4-10-01	15.9
42418	GCBS-TF-12-01	42424	GCBS-TF-M4-12-01	19.1
42419	GCBS-TF-14-01	42425	GCBS-TF-M4-14-01	22.2
42420	GCBS-TF-16-01	42426	GCBS-TF-M4-16-01	25.4
M Thread: #6-32		M Thread: M4		

Notes:

1. Material: PA66 UL94 V2;
2. Color: Natural;
3. RoHS Compliant;
4. Hole: $\varnothing 4.0 \pm 0.08 \text{mm}$,
Panel Thickness: 1.57mm;



Americom GmbH https://americom.de				americom Komponenten die verbinden		DATE	2014-4-24	DIMENSION	TOLERANCE
TITLE	LOCKING CIRCUIT BOARD SUPPORT THREADED FEMALE					SCALE	FIT	$L \leq 4$	± 0.10
PART NAME	GCBS-TF	MOLD NO.	S0611	DRAW	ZHR	UNIT	MM	$4 < L \leq 15$	± 0.20
PART NO.	SEE TABLE	MATERIAL	SEE NOTES	DESIGN	ZHR	VERSION	A0	$15 < L \leq 50$	± 0.30
DWG NO.	E4160	COLOR	SEE NOTES	APPROVAL	FDL	VIEW		$50 < L \leq 100$	± 0.40