

Fig. 1

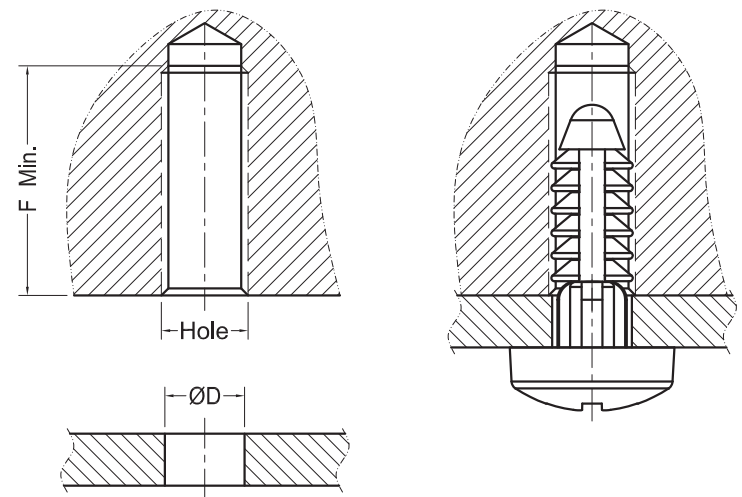


Fig. 2 and Fig. 3


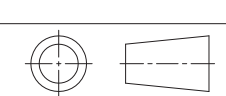
Notes:

1. Material: PA66 UL94V2;
2. RoHS Compliant;
3. Hole: Threaded Hole;
4. Patent;

Part No.	Article No.	Part No.	Article No.	A Ø max.	B max.	C	L	D	F	Barb Qty.	Push In force MAX.	Pull out force MIN.	Hole	Fig.
50682	GTS1-M3-8	50685	GTS1-M3-8N	5.5	1.65	2.8	8.0	3.5	8.0	4	30N	50N	Threaded M3	1
50683	GTS1-M3-10	50686	GTS1-M3-10N				10.0		10.0					
50684	GTS1-M3-12	50687	GTS1-M3-12N				12.0		12.0					
50689	GTS1-M3-14	50691	GTS1-M3-14N	14.0	14.0	4.5	10.0	6	40N	120N	Threaded M4			
50689	GTS1-M4-10	50692	GTS1-M4-10N	10.0	10.0									
50690	GTS1-M4-12	50693	GTS1-M4-12N	12.0	12.0									
50674	GTS1-M4-14	50678	GTS1-M4-14N	8.4	2.7	3.7	14.0	6.5	6	45N	170N	Threaded M6		
50835	GTS1-M4-16	50836	GTS1-M4-16N	16.0	16.0									
50892	GTS1-M4-20	50893	GTS1-M4-20N	20.0	20.0									
50694	GTS1-M5-12	50696	GTS1-M5-12N	9.3	2.7	4.7	12.0	5.5	4	35N	100N	Threaded M5		
50894	GTS1-M5-14	50895	GTS1-M5-14N				14.0						14.0	
50839	GTS1-M5-16	50840	GTS1-M5-16N				16.0						16.0	
50841	GTS1-M5-20	50842	GTS1-M5-20N	20.0	20.0	5.7	14.0	6.5	6	45N	170N	Threaded M6		
50896	GTS1-M6-14	50897	GTS1-M6-14N	14.0	14.0									
50845	GTS1-M6-16	50846	GTS1-M6-16N	16.0	16.0									
50847	GTS1-M6-20	50848	GTS1-M6-20N	11.3	3.3	5.7	20.0	6.5	6	45N	170N	Threaded M6		
50898	GTS1-M6-25	50899	GTS1-M6-25N	25.0	25.0									
50677	GTS1-M8-20	50681	GTS1-M8-20N	20.0	20.0									
50871	GTS1-M8-25	50872	GTS1-M8-25N	15.8	4.65	7.5	25.0	8.5	6	55N	210N	Threaded M8		
50873	GTS1-M8-30	50874	GTS1-M8-30N				30.0						30.0	
50900	GTS1-M8-35	50901	GTS1-M8-35N				35.0						35.0	
50719	GTS2-M3-6	50749	GTS2-M3-6N	5.6	2.4	2.8	6.0	3.5	4	30N	50N	Threaded M3	2	
50720	GTS2-M3-8	50750	GTS2-M3-8N				8.0							8.0
50721	GTS2-M3-10	50751	GTS2-M3-10N				10.0							10.0
50722	GTS2-M3-12	50752	GTS2-M3-12N				12.0							12.0
50851	GTS2-M4-6	50852	GTS2-M4-6N	8.0	3.1	3.7	6.0	4.5	6	40N	120N	Threaded M4		
50853	GTS2-M4-8	50854	GTS2-M4-8N				8.0							8.0
50729	GTS2-M4-8.5	50753	GTS2-M4-8.5N				8.5							10.5
50730	GTS2-M4-10	50754	GTS2-M4-10N				10.0							12.0
50731	GTS2-M4-12	50755	GTS2-M4-12N	12.0	14.0	5.5	14.0	6.5	6	45N	150N	Threaded M5		
50732	GTS2-M4-14	50756	GTS2-M4-14N	14.0	16.0									
50855	GTS2-M4-16	50856	GTS2-M4-16N	16.0	18.0									
50737	GTS2-M5-9	50757	GTS2-M5-9N	9.5	3.7	4.7	9.0	5.5	4	35N	100N	Threaded M5		
50857	GTS2-M5-10	50858	GTS2-M5-10N				10.0							12.0
50738	GTS2-M5-12	50758	GTS2-M5-12N				12.0							14.0
50739	GTS2-M5-15	50759	GTS2-M5-15N				15.0							17.0
50859	GTS2-M5-16	50860	GTS2-M5-16N	16.0	18.0	6.5	18.0	6.5	6	45N	150N	Threaded M6		
50740	GTS2-M5-18	50760	GTS2-M5-18N	18.0	20.0									
50861	GTS2-M5-20	50862	GTS2-M5-20N	20.0	22.0									
50863	GTS2-M6-10	50864	GTS2-M6-10N	12.0	4.6	5.7	10.0	6.5	4	35N	120N	Threaded M6		
50888	GTS2-M6-12	50885	GTS2-M6-12N				12.0						14.0	
50742	GTS2-M6-13.5	50762	GTS2-M6-13.5N				13.5						15.5	
50743	GTS2-M6-15	50763	GTS2-M6-15N				15.0						17.0	
50865	GTS2-M6-16	50866	GTS2-M6-16N	16.0	18.0	6.5	18.0	6.5	6	45N	170N	Threaded M6		
50744	GTS2-M6-18	50764	GTS2-M6-18N	18.0	20.0									
50867	GTS2-M6-20	50868	GTS2-M6-20N	20.0	22.0									
50902	GTS2-M6-25	50903	GTS2-M6-25N	25.0	27.0	6.5	25.0	6.5	6	45N	170N	Threaded M6		
50869	GTS2-M8-12	50870	GTS2-M8-12N	12.0	14.0									
50746	GTS2-M8-16	50766	GTS2-M8-16N	16.0	18.0									
50747	GTS2-M8-18	50767	GTS2-M8-18N	18.0	20.0	8.5	18.0	8.5	6	55N	210N	Threaded M8		
50748	GTS2-M8-20	50768	GTS2-M8-20N	20.0	22.0									
50875	GTS2-M8-25	50876	GTS2-M8-25N	25.0	27.0									
50877	GTS2-M8-30	50878	GTS2-M8-30N	30.0	32.0	8.5	30.0	8.5	6	55N	210N	Threaded M8		
50904	GTS2-M8-35	50905	GTS2-M8-35N	35.0	37.0									

Part No.	Article No.	Part No.	Article No.	A Ø max.	B max.	C	L	D	F	Barb Qty.	Push In force MAX.	Pull out force MIN.	Hole	Fig.
50769	GTS3-M3-6	50773	GTS3-M3-6N	5.6	2.4	2.8	6.0	3.5	8.0	4	30N	50N	Threaded M3	3
50770	GTS3-M3-8	50774	GTS3-M3-8N				8.0		10.0					
50771	GTS3-M3-10	50775	GTS3-M3-10N				10.0		12.0					
50772	GTS3-M3-12	50776	GTS3-M3-12N				12.0		14.0					
50811	GTS3-M4-6	50812	GTS3-M4-6N	8.0	3.1	3.7	6.0	4.5	8.0	6	40N	120N	Threaded M4	
50813	GTS3-M4-8	50814	GTS3-M4-8N				8.0		10.0					
50777	GTS3-M4-8.5	50781	GTS3-M4-8.5N				8.5		10.5					
50778	GTS3-M4-10	50782	GTS3-M4-10N				10.0		12.0					
50779	GTS3-M4-12	50783	GTS3-M4-12N	12.0	14.0	5.5	14.0	6.5	6	45N	150N	Threaded M5		
50780	GTS3-M4-14	50784	GTS3-M4-14N	14.0	16.0									
50815	GTS3-M4-16	50816	GTS3-M4-16N	16.0	18.0									
50785	GTS3-M5-9	50789	GTS3-M5-9N	9.5	3.7	4.7	9.0	5.5	11.0	4	35N	100N	Threaded M5	
50817	GTS3-M5-10	50818	GTS3-M5-10N				10.0		12.0					
50786	GTS3-M5-12	50790	GTS3-M5-12N				12.0		14.0					
50787	GTS3-M5-15	50791	GTS3-M5-15N				15.0		17.0					
50819	GTS3-M5-16	50820	GTS3-M5-16N	16.0	18.0	6.5	18.0	6.5	6	45N	150N	Threaded M6		
50788	GTS3-M5-18	50792	GTS3-M5-18N	18.0	20.0									
50821	GTS3-M5-20	50822	GTS3-M5-20N	20.0	22.0									
50823	GTS3-M6-10	50824	GTS3-M6-10N	12.0	4.6	5.7	10.0	6.5	12.0	4	35N	120N	Threaded M6	
50889	GTS3-M6-12	50886	GTS3-M6-12N				12.0		14.0					
50794	GTS3-M6-13.5	50798	GTS3-M6-13.5N				13.5		15.5					
50795	GTS3-M6-15	50799	GTS3-M6-15N				15.0		17.0					
50825	GTS3-M6-16	50826	GTS3-M6-16N	16.0	18.0	6.5	18.0	6.5	6	45N	170N	Threaded M6		
50796	GTS3-M6-18	50800	GTS3-M6-18N	18.0	20.0									
50827	GTS3-M6-20	50828	GTS3-M6-20N	20.0	22.0									
50906	GTS3-M6-25	50907	GTS3-M6-25N	25.0	27.0	6.5	25.0	6.5	6	45N	170N	Threaded M6		
50829	GTS3-M8-12	50830	GTS3-M8-12N	12.0	14.0									
50802	GTS3-M8-16	50806	GTS3-M8-16N	16.0	18.0									
50803	GTS3-M8-18	50807	GTS3-M8-18N	18.0	20.0	8.5	18.0	8.5	6	55N	210N	Threaded M8		
50804	GTS3-M8-20	50808	GTS3-M8-20N	20.0	22.0									
50879	GTS3-M8-25	50880	GTS3-M8-25N	25.0	27.0									
50881	GTS3-M8-30	50882	GTS3-M8-30N	30.0	32.0	8.5	30.0	8.5	6	55N	210N	Threaded M8		
50908	GTS3-M8-35	50909	GTS3-M8-35N	35.0	37.0									

Color: Black Color: Natural

Americom GmbH https://americom.de							DATE	2021-9-17	DIMENSION	TOLERANCE
TITLE	PUSH SCREW					SCALE	FIT	L ≤ 4	±0.10	
ARTICLE NO.	GTS-M-L	MOLD NO.	/	DRAW	JF	UNIT	MM	4 < L ≤ 15	±0.20	
PART NO.	SEE TABLE	MATERIAL	SEE NOTES	DESIGN	JF	VERSION	A0	15 < L ≤ 50	±0.30	
DWG NO.	E5060	COLOR	SEE TABLE	APPROVAL	FDL	VIEW		50 < L ≤ 100	±0.40	