

Fig.1

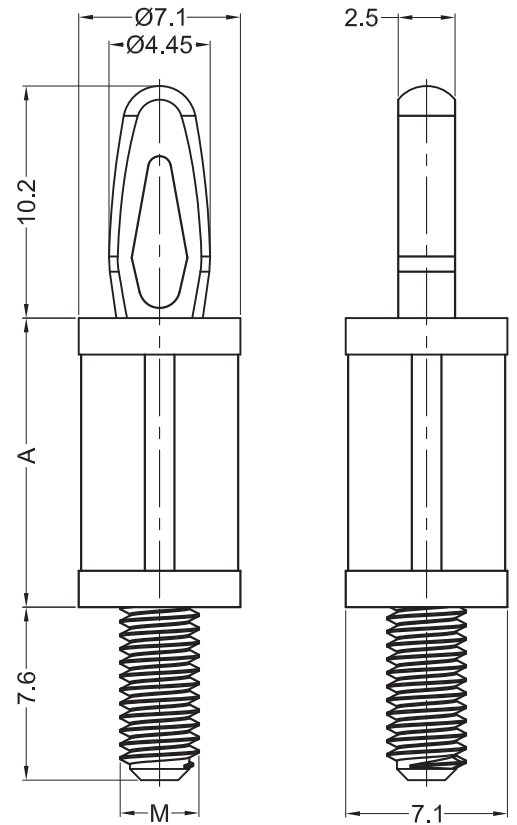


Fig.2

PartNo.	Article No.	PartNo.	Article No.	PartNo.	Article No.	PartNo.	Article No.	A	M Thread	Fig.
41149	GSCBS6-4-66	41642	GSCBS6-4-66B	41649	GSCBS6-4-V0	41656	GSCBS6-4-BV0	6.4	#6-32	1
41150	GSCBS6-6-66	41643	GSCBS6-6-66B	41650	GSCBS6-6-V0	41657	GSCBS6-6-BV0	9.5		
41151	GSCBS6-8-66	41644	GSCBS6-8-66B	41651	GSCBS6-8-V0	41658	GSCBS6-8-BV0	12.7		
41152	GSCBS6-10-66	41645	GSCBS6-10-66B	41652	GSCBS6-10-V0	41659	GSCBS6-10-BV0	15.9		
41153	GSCBS6-12-66	41646	GSCBS6-12-66B	41653	GSCBS6-12-V0	41660	GSCBS6-12-BV0	19.1		
41154	GSCBS6-14-66	41647	GSCBS6-14-66B	41654	GSCBS6-14-V0	41661	GSCBS6-14-BV0	22.2		
41155	GSCBS6-16-66	41648	GSCBS6-16-66B	41655	GSCBS6-16-V0	41662	GSCBS6-16-BV0	25.4		
41183	GSCBS7-4-66	41744	GSCBS7-4-66B	41751	GSCBS7-4-V0	41758	GSCBS7-4-BV0	6.4	M4	1
41184	GSCBS7-6-66	41745	GSCBS7-6-66B	41752	GSCBS7-6-V0	41759	GSCBS7-6-BV0	9.5		
41185	GSCBS7-8-66	41746	GSCBS7-8-66B	41753	GSCBS7-8-V0	41760	GSCBS7-8-BV0	12.7		
41186	GSCBS7-10-66	41747	GSCBS7-10-66B	41754	GSCBS7-10-V0	41761	GSCBS7-10-BV0	15.9		
41187	GSCBS7-12-66	41748	GSCBS7-12-66B	41755	GSCBS7-12-V0	41762	GSCBS7-12-BV0	19.1		
41188	GSCBS7-14-66	41749	GSCBS7-14-66B	41756	GSCBS7-14-V0	41763	GSCBS7-14-BV0	22.2		
41189	GSCBS7-16-66	41750	GSCBS7-16-66B	41757	GSCBS7-16-V0	41764	GSCBS7-16-BV0	25.4		
43666	GSCBS9-4-66	43688	GSCBS9-4-66B	43671	GSCBS9-4-V0	43693	GSCBS9-4-BV0	6.4	#6-32	2
43665	GSCBS9-6-66	43687	GSCBS9-6-66B	43672	GSCBS9-6-V0	43694	GSCBS9-6-BV0	9.5		
43664	GSCBS9-8-66	43686	GSCBS9-8-66B	43673	GSCBS9-8-V0	43695	GSCBS9-8-BV0	12.7		
43667	GSCBS9-10-66	43689	GSCBS9-10-66B	43674	GSCBS9-10-V0	43696	GSCBS9-10-BV0	15.9		
43668	GSCBS9-12-66	43690	GSCBS9-12-66B	43675	GSCBS9-12-V0	43697	GSCBS9-12-BV0	19.1		
43669	GSCBS9-14-66	43691	GSCBS9-14-66B	43676	GSCBS9-14-V0	43698	GSCBS9-14-BV0	22.2		
43670	GSCBS9-16-66	43692	GSCBS9-16-66B	43677	GSCBS9-16-V0	43699	GSCBS9-16-BV0	25.4		
Material: PA66 UL94 V2 Color: Natural		Material: PA66 UL94 V2 Color: Black		Material: PA66 UL94 V0 Color: Natural		Material: PA66 UL94 V0 Color: Black				

Notes:  
 1. RoHS Compliant;  
 2. Hole:  $\varnothing 4.0 \pm 0.08$ mm  
 Panel Thickness: 1.57mm

Americom GmbH https://americom.de							DATE	2021-7-25	DIMENSION	TOLERANCE
TITLE	LOCKING CIRCUIT BOARD SUPPORT THREADED MALE					SCALE	FIT	$L \leq 4$	$\pm 0.10$	
ARTICLE NO.	GSCBS6/7/9	MOLD NO.	S0507	DRAW	JF	UNIT	MM	$4 < L \leq 15$	$\pm 0.20$	
PART NO.	SEE TABLE	MATERIAL	SEE TABLE	DESIGN	JF	VERSION	A0	$15 < L \leq 50$	$\pm 0.30$	
DWG NO.	E4120	COLOR	SEE TABLE	APPROVAL	FDL	VIEW		$50 < L \leq 100$	$\pm 0.40$	