

GSSRS4

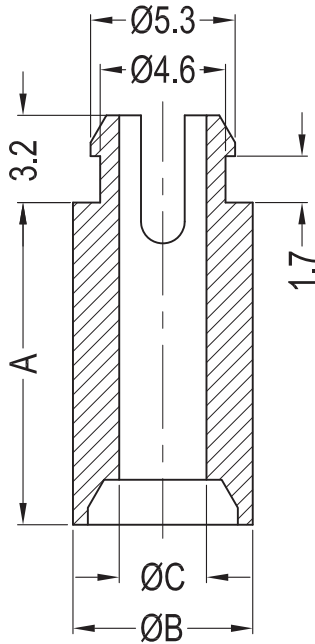
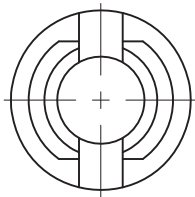


Fig. 1

GSSRS8

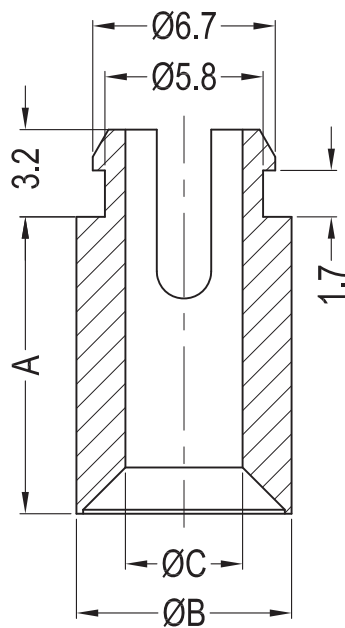
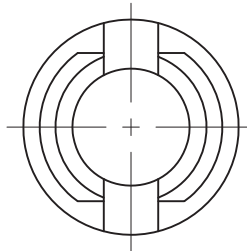


Fig. 2

GSSRS8-2-3

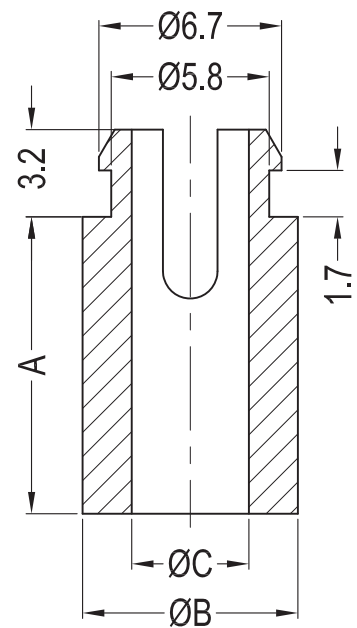
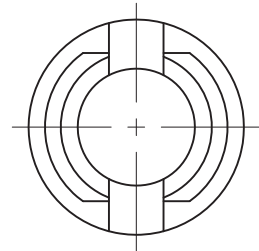


Fig. 3

Notes:
1. RoHS Compliant

Part No.	Part Name	Material	Color	A	B	C	Hole	Panel Thickness	Screw	Fig.								
42372	GSSRS4-2-01	PA66 UL94 V2	Natural	3.2	6.6	3.2	4.75±0.08	1.57	#4/M3	1								
42373	GSSRS4-3-01			4.8														
42374	GSSRS4-4-01			6.4														
42375	GSSRS4-5-01			7.9														
42376	GSSRS4-6-01			9.5														
42377	GSSRS4-7-01			11.1														
42378	GSSRS4-8-01			12.7														
42379	GSSRS4-10-01			15.9														
42380	GSSRS4-12-01			19.1														
42381	GSSRS4-14-01			22.2														
42382	GSSRS4-16-01			25.4														
40025	GSSRS8-4-01			PA66 UL94 V0							Natural	6.4	7.9	4.3	5.94±0.08	1.57	#8/M4	2
40026	GSSRS8-5-01											7.9						
40027	GSSRS8-6-01											9.5						
40028	GSSRS8-7-01											11.1						
40029	GSSRS8-8-01											12.7						
40030	GSSRS8-10-01	15.9																
42116	GSSRS8-12-01	19.1																
42118	GSSRS8-14-01	22.2																
42119	GSSRS8-16-01	25.4																
43594	GSSRS8-2-3-01	PA66 UL94 V0	Natural		4.8±0.1	7.9	4.3	5.94±0.08	1.57	#8/M4		3						
43587	GSSRS8-2-3-19																	

Americom GmbH
<https://americom.de>

americom
Komponenten die verbinden

DATE 2020-12-23 DIMENSION TOLERANCE

TITLE	SELF-RETAINING SPACER					SCALE	FIT	L ≤ 4	±0.10
PART NAME	GSSRS4&GSSRS8	MOLD NO.	S0312	DRAW	PLK	UNIT	MM	4 < L ≤ 15	±0.20
PART NO.	SEE TABLE	MATERIAL	SEE TABLE	DESIGN	PLK	VERSION	A0	15 < L ≤ 50	±0.30
DWG NO.	E4262	COLOR	SEE TABLE	APPROVAL	FDL	VIEW		50 < L ≤ 100	±0.40