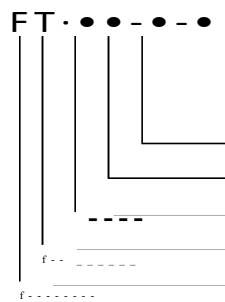


Pat Nb	Article No.	Pat Nb	Article No.	Thread Type	Color
30417	FTSSM-M6-B	30433	FTSSR-M6-B	M6	Black
30416	FTSSM-M8-B	30426	FTSSR-M8-B	M8	
30418	FTSSM-1-4-B	30434	FTSSR-1-4-B	1/4 inch	
30419	FTSSM-5-16-B	30435	FTSSR-5-16-B	5/16 inch	

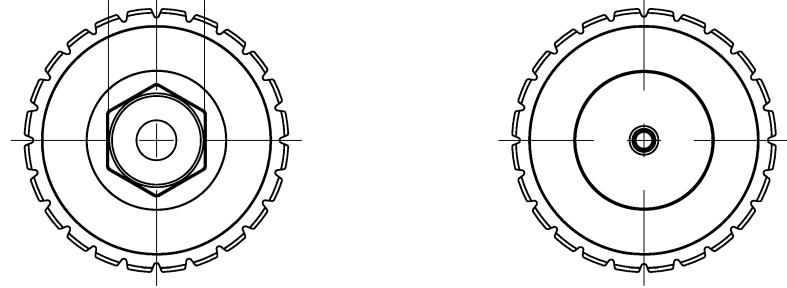
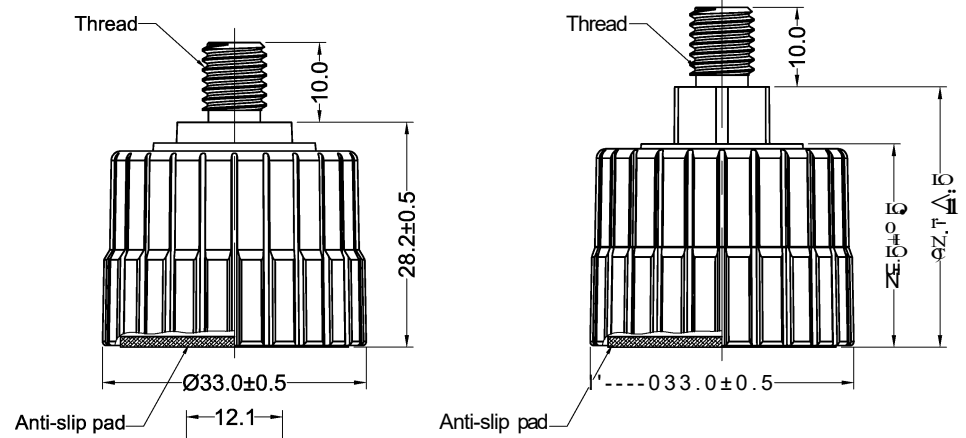
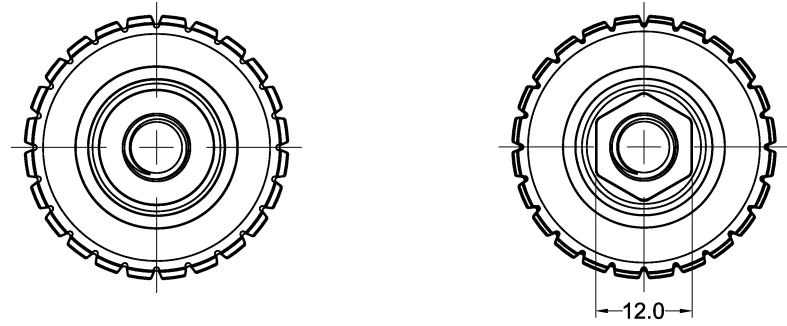
Detailed Rules of the Article name:



Color: "B" means Black
 Thread Type: M6; M8; 1/4 inch; 5/16 inch
 "M" means Moving part; "R" means Rigid part
 Appearance: "S" means Stripped
 Type: "S" means Standard
 "T" means Table
 "F" means Feet


Notes:

1. Material: Plastic+ Metal components
2. Capacity of table weight: 5 - 30kgs, and it can be customized.
3. The shape, size, material, color are customizable.
4. RoHS Compliant;



Rigid part

Moving part

https://americom.de 						DATE	2024-9-27	DIMENSION	TOLERANCE
TITLE	BALANCE FEET					SCALE	FIT	L 4	±0.10
ARTICLE NO.	FTSSM/FTSSR	MOLD NO.	ST153/ST154	DRAW	JF	UNIT	MM	4<L 15	±0.20
PART NO.	SEE TABLE	MATERIAL	SEE NOTES	DESIGN	JF	VERSION	A0	15<L 50	±0.30
DWG NO.	E3183	COLOR	SEE TABLE	APPROVAL	FDL	VIEW		50<L 100	±0.40