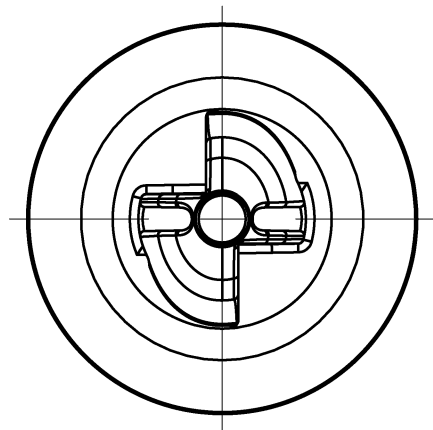


ASSEMBLY DETAILS



- Notes:
- Hole: Ø7.9-8.1mm;  
Panel Thickness: 1.8-2.2mm;
  - In compliance with ROHS.



<a href="https://americom.de">https://americom.de</a>						<b>americom</b> Komponenten die verbinden		DATE	2021-1-12	DIMENSION	TOLERANCE
TITLE	PUSH-IN CLIP / DOOR CLIP					SCALE	FIT		L ≤ 4	±0.10	
ARTICLE NO.	GW780404	MOLD NO.	S1180	DRAW	FDL	UNIT	MM		4 < L ≤ 15	±0.20	
PART NO.	10096	MATERIAL	POM UL94 HB	DESIGN	FDL	VERSION	A0		15 < L ≤ 50	±0.30	
DWG NO.	E1100	COLOR	NATURAL	APPROVAL	FDL	VIEW			50 < L ≤ 100	±0.40	