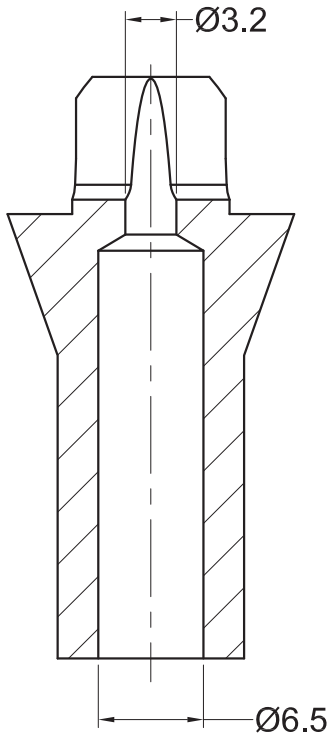
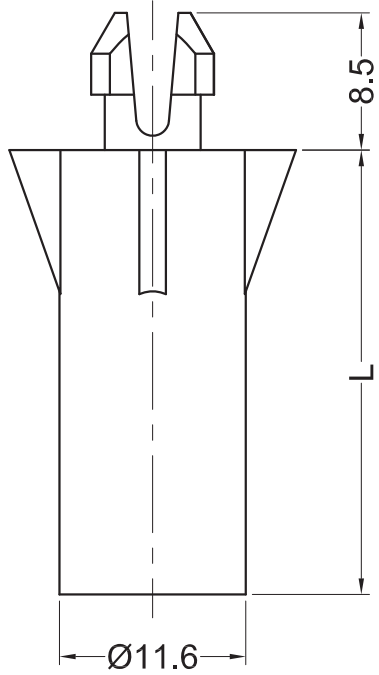
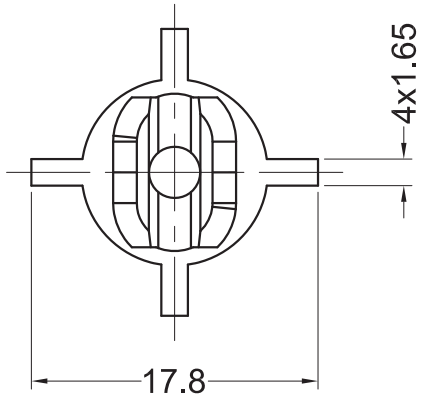
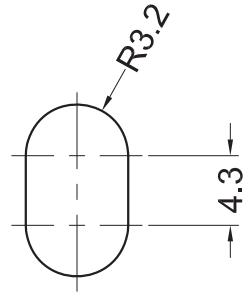


REV	DESCRIPTION	DATE	CHECK
A1	Structure Modify: Remove Chamfer	2021-12-24	FDL

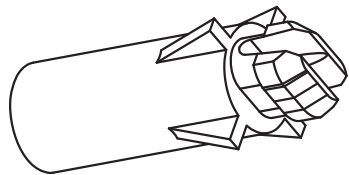


Notes:

1. Panel Thickness: 2.2-2.7mm.
2. RoHS Compliant;
3. Screw Size: This part is a customized version.  
Please check the screw size through testing on samples!



PANEL FEATURE CUTOUT



Part No.	Article No.	L
43504	GSSRS12-28	27.6
43503	GSSRS12-50	49.8

Americom GmbH <a href="https://americom.de">https://americom.de</a>						americom Komponenten die verbinden		DATE	2021-12-24	DIMENSION	TOLERANCE
TITLE	SELF-RETAINING SPACER					SCALE	FIT		L ≤ 4		±0.38
ARTICLE NO.	GSSRS12	MOLD NO.	S1157	DRAW	JF	UNIT	MM		4 < L ≤ 15		±0.38
PART NO.	SEE TABLE	MATERIAL	PA66 UL94 V2	DESIGN	JF	VERSION	A1		15 < L ≤ 50		±0.38
DWG NO.	E4376	COLOR	NATURAL	APPROVAL	FDL	VIEW			50 < L ≤ 100		±0.38