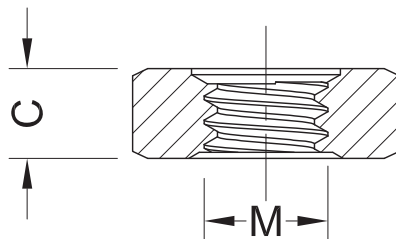
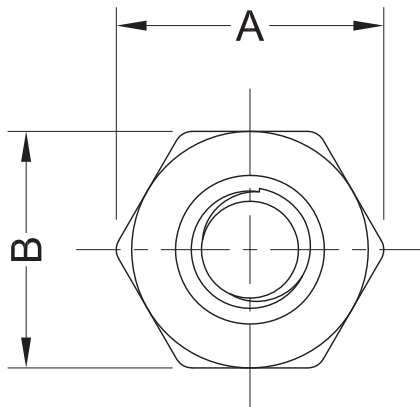
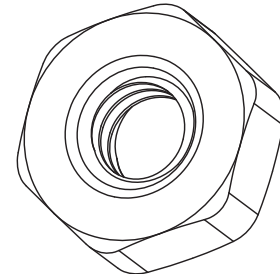


REV	DESCRIPTION	DATE	CHECK
A1	1. Size M2: "A" 4.4 change to 4.32 $^{+0.3}_0$ 2. Size M2.5: "A" 5.5 change to 5.45 $^{+0.32}_0$ 3. Size M3: "A" 6.1 change to 6.01 $^{+0.34}_0$ 4. Size M4: "A" 7.8 change to 7.66 $^{+0.42}_0$ 5. Size M5: "A" 9.0 change to 8.79 $^{+0.45}_0$ 6. Size M6: "A" 11.3 change to 11.05 $^{+0.5}_0$ 7. Add tolerances for all "B" and "C"	2022-9-8	FDL



Part No.	Article No.	A	B	C	M	Material	Color
43777	GHN-934N-M2	4.32 $^{+0.3}_0$	4.0 $^0_{-0.18}$	1.6 $^0_{-0.25}$	M2	PA66 UL94 V2	Natural
43948	GHN-934B-M2						Black
43778	GHN-934N-M2.5	5.45 $^{+0.32}_0$	5.0 $^0_{-0.18}$	2.0 $^0_{-0.25}$	M2.5		Natural
43949	GHN-934B-M2.5						Black
43783	GHN-934N-M3	6.01 $^{+0.34}_0$	5.5 $^0_{-0.18}$	2.4 $^0_{-0.25}$	M3		Natural
43952	GHN-934B-M3						Black
43784	GHN-934N-M4	7.66 $^{+0.42}_0$	7.0 $^0_{-0.22}$	3.2 $^0_{-0.3}$	M4		Natural
43953	GHN-934B-M4						Black
43785	GHN-934N-M5	8.79 $^{+0.45}_0$	8.0 $^0_{-0.22}$	4.0 $^0_{-0.3}$	M5		Natural
43954	GHN-934B-M5						Black
43786	GHN-934N-M6	11.05 $^{+0.5}_0$	10.0 $^0_{-0.22}$	5.0 $^0_{-0.3}$	M6		Natural
43955	GHN-934B-M6						Black

Notes:  
1. RoHS Compliant.

Americom GmbH  
<https://americom.de>

**americom**  
Komponenten die verbinden

DATE 2022-9-8 DIMENSION TOLERANCE

TITLE HEX FULL NUT SCALE FIT L ≤ 4 ±0.10

ARTICLE NO. GHN-934 MOLD NO. S1246/S1285 DRAW PLK UNIT MM 4 < L ≤ 15 ±0.20

PART NO. SEE TABLE MATERIAL SEE NOTES DESIGN PLK VERSION A1 15 < L ≤ 50 ±0.30

DWG NO. E4404 COLOR SEE NOTES APPROVAL FDL VIEW 50 < L ≤ 100 ±0.40