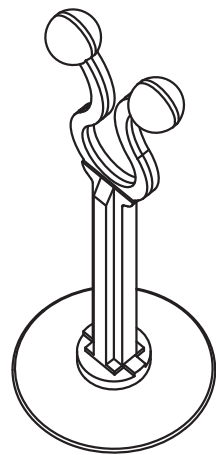
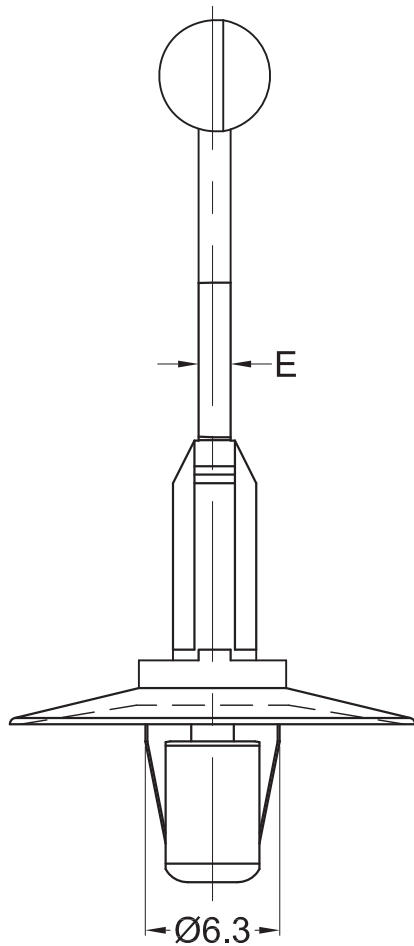


This position doesn't exist once A ≤ 4.8mm



Part No.	Article No.	Part No.	Article No.	A	B	C	E	D Bundle Dia.
61357	GSOTL5-25-4M-V0	60984	GSOTL5-25-4M-66	4.0	19.1	16.0	1.5	5.1-7.6
61358	GSOTL5-25-1-V0	60985	GSOTL5-25-1-66	4.8				
61359	GSOTL5-25-6M-V0	60986	GSOTL5-25-6M-66	6.0				
61360	GSOTL5-25-8M-V0	60987	GSOTL5-25-8M-66	8.0				
61361	GSOTL5-25-10M-V0	60982	GSOTL5-25-10M-66	10.0				
61362	GSOTL5-25-12M-V0	60988	GSOTL5-25-12M-66	12.0				
61363	GSOTL5-25-2-V0	60989	GSOTL5-25-2-66	12.7				
61364	GSOTL5-25-3-V0	60990	GSOTL5-25-3-66	19.1				
61365	GSOTL5-25-4-V0	60991	GSOTL5-25-4-66	25.4				
61366	GSOTL5-25-5-V0	60992	GSOTL5-25-5-66	31.8				
61367	GSOTL5-75-4M-V0	61066	GSOTL5-75-4M-66	4.0	36.8	23.5	1.8	17.8-20.3
61368	GSOTL5-75-1-V0	61095	GSOTL5-75-1-66	4.8				
61369	GSOTL5-75-6M-V0	61096	GSOTL5-75-6M-66	6.0				
61370	GSOTL5-75-8M-V0	61097	GSOTL5-75-8M-66	8.0				
61371	GSOTL5-75-10M-V0	61098	GSOTL5-75-10M-66	10.0				
61372	GSOTL5-75-12M-V0	61099	GSOTL5-75-12M-66	12.0				
61373	GSOTL5-75-2-V0	61100	GSOTL5-75-2-66	12.7				
61374	GSOTL5-75-3-V0	61101	GSOTL5-75-3-66	19.1				
61375	GSOTL5-75-4-V0	61102	GSOTL5-75-4-66	25.4				
61376	GSOTL5-75-5-V0	61103	GSOTL5-75-5-66	31.8				
Material: PA66 UL94V0 Color: Natural		Material: PA66 UL94V2 Color: Natural						

Notes:
 1. RoHS Compliant;
 2. Hole: Ø6.5±0.08mm;
 Panel Thickness: 0.8-1.6mm.

Americom GmbH https://americom.de				americom Komponenten die verbinden		DATE	2021-11-25	DIMENSION	TOLERANCE
TITLE	STAND-OFF TWIST LOCK					SCALE	FIT	L ≤ 4	±0.10
ARTICLE NO.	GSOTL5	MOLD NO.	S0956/1024/1067	DRAW	JF	UNIT	MM	4 < L ≤ 15	±0.20
PART NO.	SEE TABLE	MATERIAL	SEE TABLE	DESIGN	JF	VERSION	A0	15 < L ≤ 50	±0.30
DWG NO.	E6274	COLOR	SEE TABLE	APPROVAL	FDL	VIEW		50 < L ≤ 100	±0.40