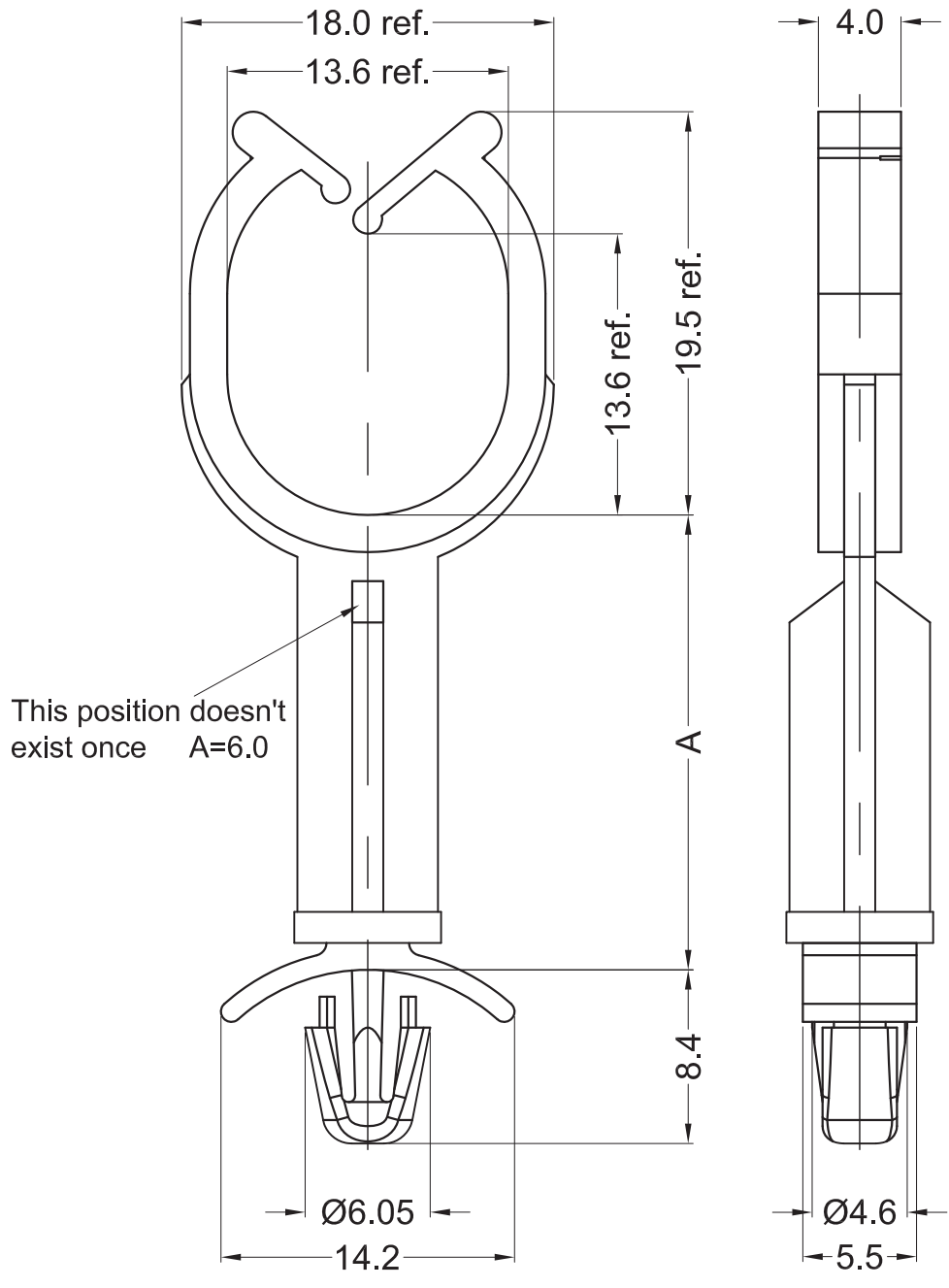


Rev	Description	Date	Check
A1	1. Change the gecko description GSHK-X-66 to GSHK-XM-66. 2. Add 5 different sizes A= "9.5", "12.7", "19.1", "25.4", "31.8" named as GSHK-X-66.	2016-7-14	FDL



Part No.	Part Name	A	Material
60305	GSHK-6M-66	6.0	PA66 UL94V2
60306	GSHK-8M-66	8.0	
60863	GSHK-6-66	9.5	
60307	GSHK-10M-66	10.0	
60308	GSHK-12M-66	12.0	
60854	GSHK-8-66	12.7	
60309	GSHK-14M-66	14.0	
60310	GSHK-16M-66	16.0	
60311	GSHK-18M-66	18.0	
60855	GSHK-12-66	19.1	
60312	GSHK-20M-66	20.0	
60313	GSHK-22M-66	22.0	
60314	GSHK-24M-66	24.0	
60856	GSHK-16-66	25.4	
60315	GSHK-26M-66	26.0	
60316	GSHK-28M-66	28.0	
60857	GSHK-20-66	31.8	
60548	GSHK-6M-V0	6.0	PA66 UL94V0
60549	GSHK-8M-V0	8.0	
60858	GSHK-6-V0	9.5	
60550	GSHK-10M-V0	10.0	
60551	GSHK-12M-V0	12.0	
60859	GSHK-8-V0	12.7	
60552	GSHK-14M-V0	14.0	
60553	GSHK-16M-V0	16.0	
60554	GSHK-18M-V0	18.0	
60860	GSHK-12-V0	19.1	
60555	GSHK-20M-V0	20.0	
60556	GSHK-22M-V0	22.0	
60557	GSHK-24M-V0	24.0	
60861	GSHK-16-V0	25.4	
60558	GSHK-26M-V0	26.0	
60559	GSHK-28M-V0	28.0	
60862	GSHK-20-V0	31.8	

Notes:  
 1.Color:Natural;  
 2.RoHS Compliant;  
 3.Hole:Ø4.75±0.08mm;  
 Panel Thickness:1.57mm;

Americom GmbH <a href="https://americom.de">https://americom.de</a>				<b>americom</b> Komponenten die verbinden		DATE	2011-2-18	DIMENSION	TOLERANCE
TITLE	STAND-OFF HARNESS CLIP					SCALE	FIT	L ≤ 4	±0.10
PART NAME	GSHK	MOLD NO.	S0512	DRAW	ZHR	UNIT	MM	4 < L ≤ 15	±0.20
PART NO.	SEE TABLE	MATERIAL	SEE TABLE	DESIGN	ZHR	VERSION	A0	15 < L ≤ 50	±0.30
DWG NO.	E6111	COLOR	SEE NOTES	APPROVAL	FDL	VIEW		50 < L ≤ 100	±0.40