

Fig.1

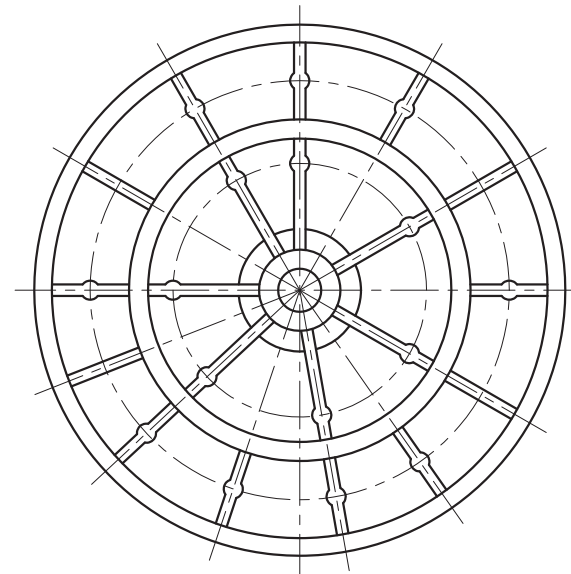
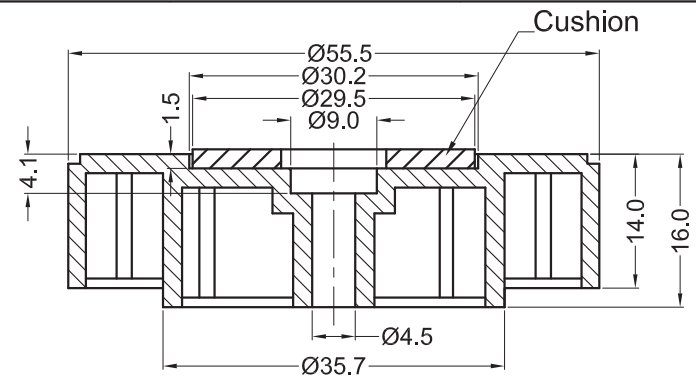

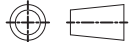


Fig.2

Notes:

1. Foot Material: ABS UL94 HB;
2. Color: Black;
3. RoHS Compliant.

Part No.	Article No.	Cushion Material	Cushion Size	Finish	Fig.				
30105	GFF-5614B-S	/	/	Silver Plated	1				
30227	GFF-5614B	EVA TAPE	2T*29.5*11HB	Silver Plated	2				
Americom GmbH https://americom.de				DATE	2019-10-23	DIMENSION	TOLERANCE		
TITLE	ABS FOOT					SCALE	FIT	L ≤ 4	±0.10
ARTICLE NO.	GFF-5614	MOLD NO.	S0160	DRAW	JF	UNIT	MM	4 < L ≤ 15	±0.20
PART NO.	SEE TABLE	MATERIAL	SEE NOTES	DESIGN	JF	VERSION	A0	15 < L ≤ 50	±0.30
DWG NO.	E3029	COLOR	SEE NOTES	APPROVAL	FDL	VIEW		50 < L ≤ 100	±0.40