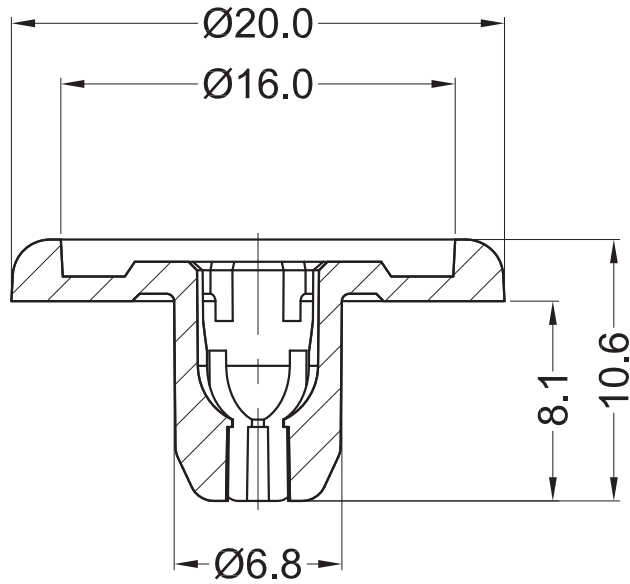
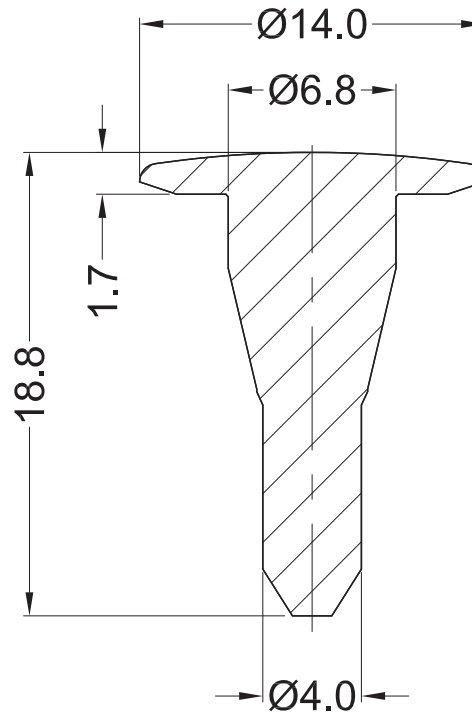


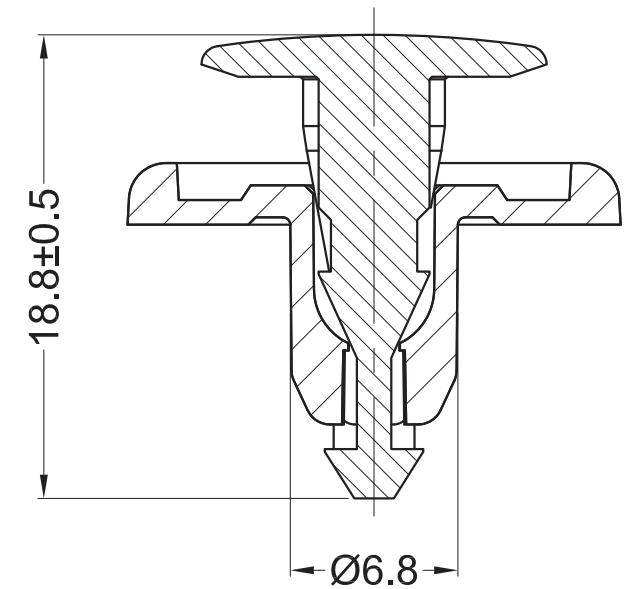
### Body



### Pin



### Assembly Part



#### Notes:

1. Material: POM UL94HB (Body)  
PBT+GF UL94V0 (Pin);
2. Color: Black;
3. RoHS Compliant;
4. Hole:  $\text{Ø}7.0 \pm 0.08 \text{ mm}$ ;  
Panel Thickness: 1.5-2.5mm.

Americom GmbH  
<https://americom.de>

**americom**  
Komponenten die verbinden

| DATE    | 2021-9-26 | DIMENSION         |  | TOLERANCE  |  |
|---------|-----------|-------------------|--|------------|--|
| SCALE   | FIT       | $L \leq 4$        |  | $\pm 0.10$ |  |
| UNIT    | MM        | $4 < L \leq 15$   |  | $\pm 0.20$ |  |
| VERSION | A0        | $15 < L \leq 50$  |  | $\pm 0.30$ |  |
| VIEW    |           | $50 < L \leq 100$ |  | $\pm 0.40$ |  |

| TITLE       | PUSH LOCK RIVETS |          |             |          |     |
|-------------|------------------|----------|-------------|----------|-----|
| ARTICLE NO. | GA6808B          | MOLD NO. | S1190/S1191 | DRAW     | PLK |
| PART NO.    | 10028            | MATERIAL | SEE NOTES   | DESIGN   | PLK |
| DWG NO.     | E1039            | COLOR    | SEE NOTES   | APPROVAL | FDL |