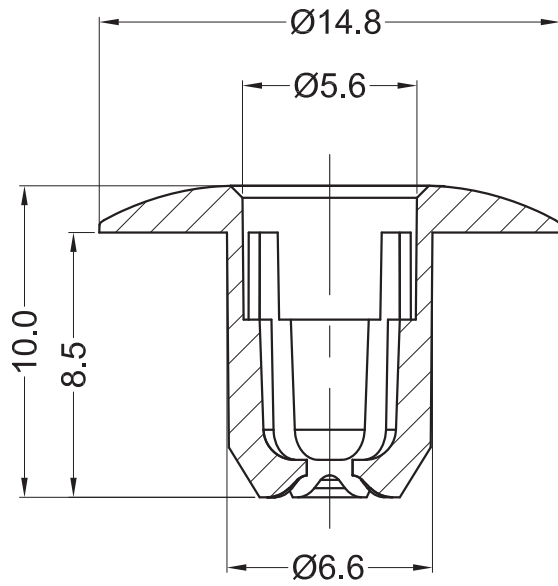
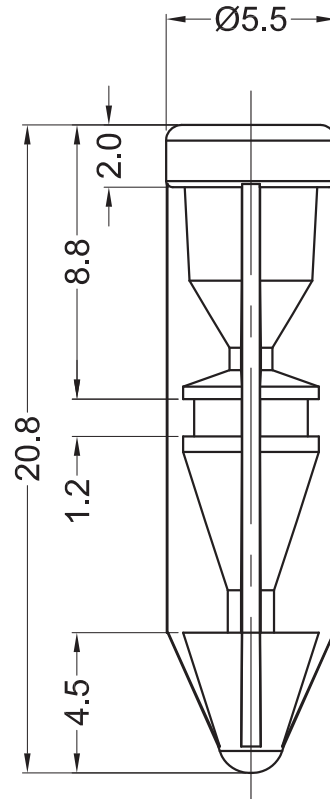


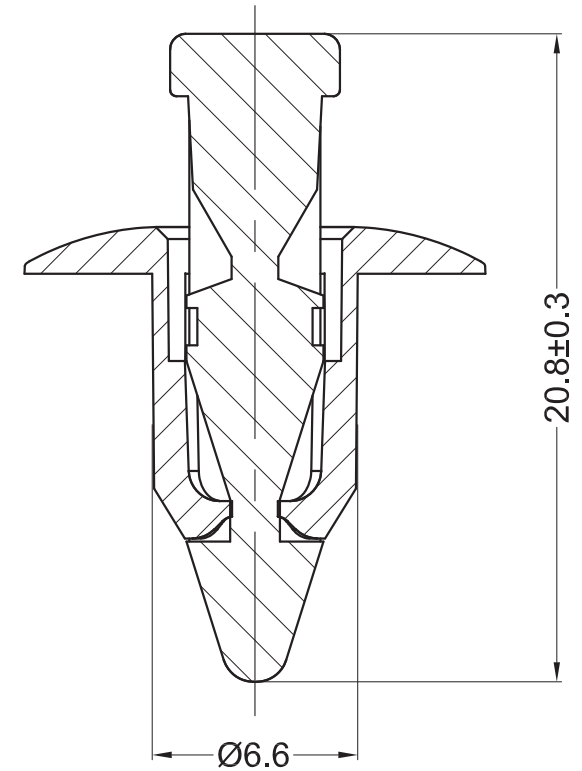
Body



Pin



Assembly Part



Notes:

1. Material: POM UL94HB;
2. Color: Black;
3. RoHS Compliant;
4. Hole: $\text{Ø}7.0 \pm 0.08 \text{ mm}$;
Panel Thickness: 3.0-3.5 mm.

Americom GmbH https://americom.de						americom Komponenten die verbinden		DATE	2019-10-18	DIMENSION	TOLERANCE
TITLE	PUSH LOCK RIVETS					SCALE	FIT	$L \leq 4$	± 0.10		
ARTICLE NO.	GA6609B	MOLD NO.	S1143/S1144	DRAW	PLK	UNIT	MM	$4 < L \leq 15$	± 0.20		
PART NO.	10027	MATERIAL	SEE NOTES	DESIGN	PLK	VERSION	A0	$15 < L \leq 50$	± 0.30		
DWG NO.	E1037	COLOR	SEE NOTES	APPROVAL	FDL	VIEW		$50 < L \leq 100$	± 0.40		