

### SS1

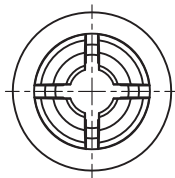
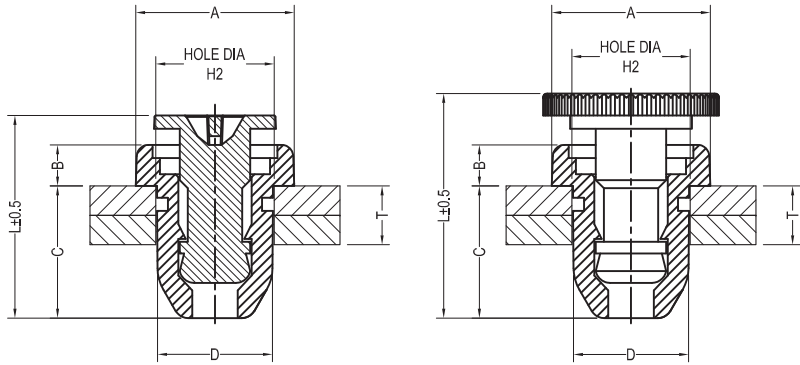


Fig.1

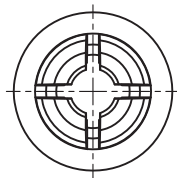
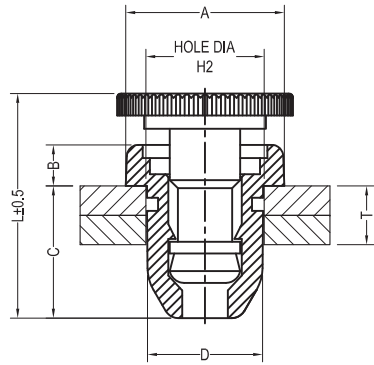


Fig.2

### SS2/GTL

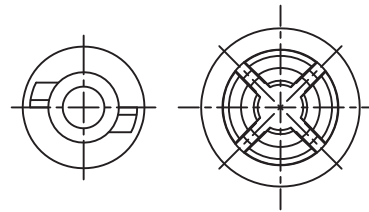
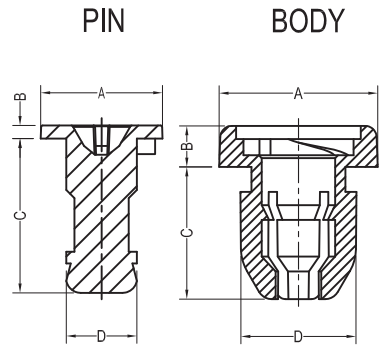


Fig.3

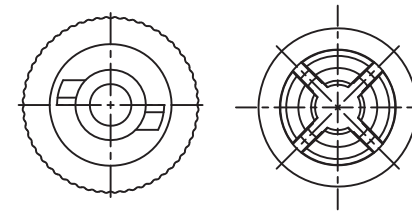
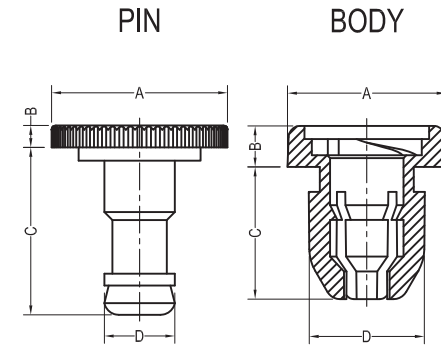
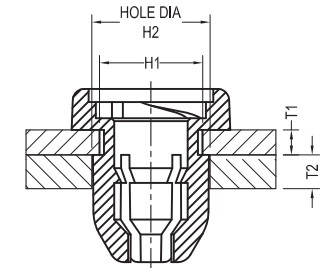


Fig.4



Part No.	Article No.	A	B	C	D	L	T	T1	H1	T2	H2	Fig.	Max Strength
20729	SS1-6.3	9.2	2.8	9.0	6.3	13.8	3.0-4.2	/	/	/	6.35-6.5	1	30.0Kg
20696	SS1-7.9	10.8	2.8	9.0	7.9		3.0-4.2	/	/	/	8.0-8.2	1	50.0Kg
21007	SS1-4011	6.0	1.7	11.0	4.0	14.4	5.5-6.5	/	/	/	4.1-4.2	1	30.0KG
20798	SS1-1L1	10.8	2.8	9.0	7.9	15.3	3.0-4.2	/	/	/	8.0-8.2	2	50.0Kg
21115	SS2-6.3P(PIN)	7.1	0.9	10.5	3.6	/	/	/	/	/	/	3	30.0Kg
21116	SS2-6.3B(BODY)	9.2	2.8	9.0	6.3	/	/	1.6	5.95-6.1	1.0-2.6	6.35-6.5		
21113	SS2-7.9P(PIN)	8.3	0.9	10.5	4.8	/	/	/	/	/	/	3	50.0Kg
21112	SS2-7.9B(BODY)	10.8	2.8	9.0	7.9	/	/	1.6	7.5-7.7	1.4-2.6	8.0-8.2		
20703	GTLG-2L(PIN)	8.3	0.9	11.4	4.8	/	/	/	/	/	/	3	50.0Kg
20702	GTLG-2L(BODY)	10.8	2.7	10.0	7.9	/	/	2.6	7.5-7.7	1.4-2.6	8.0-8.2		
20705	GTLG-2M(PIN)	7.1	0.9	11.1	3.6	/	/	/	/	/	/	3	30.0Kg
20704	GTLG-2M(BODY)	9.2	2.7	9.5	6.3	/	/	2.6	5.95-6.1	1.0-2.6	6.35-6.5		
21421	SS2-1L1P(PIN)	12.0	1.5	11.4	4.8	/	/	/	/	/	/	4	50.0Kg
21112	SS2-7.9B(BODY)	10.8	2.8	9.0	7.9	/	/	1.6	7.5-7.7	1.4-2.6	8.0-8.2		

Notes:

- 1.Material:PC UL94 V2(Body); PA66+GF UL94 HB(Pin);
- 2.Color:Black;
- 3.RoHS Compliant;
- 4.Patent.

Americom GmbH <a href="https://americom.de">https://americom.de</a>		<b>americom</b> Komponenten die verbinden		DATE	2021-07-15	DIMENSION	TOLERANCE
TITLE	REMOVABLE RIVET			SCALE	FIT	L ≤ 4	±0.10
ARTICLE NO.	SS1/SS2/GTL	MOLD NO.	ST047/048	DRAW	JF	UNIT	MM
PART NO.	SEE TABLE	MATERIAL	SEE NOTES	DESIGN	JF	VERSION	A0
DWG NO.	E2224	COLOR	SEE NOTES	APPROVAL	FDL	VIEW	50 < L ≤ 100