

Fig. 1

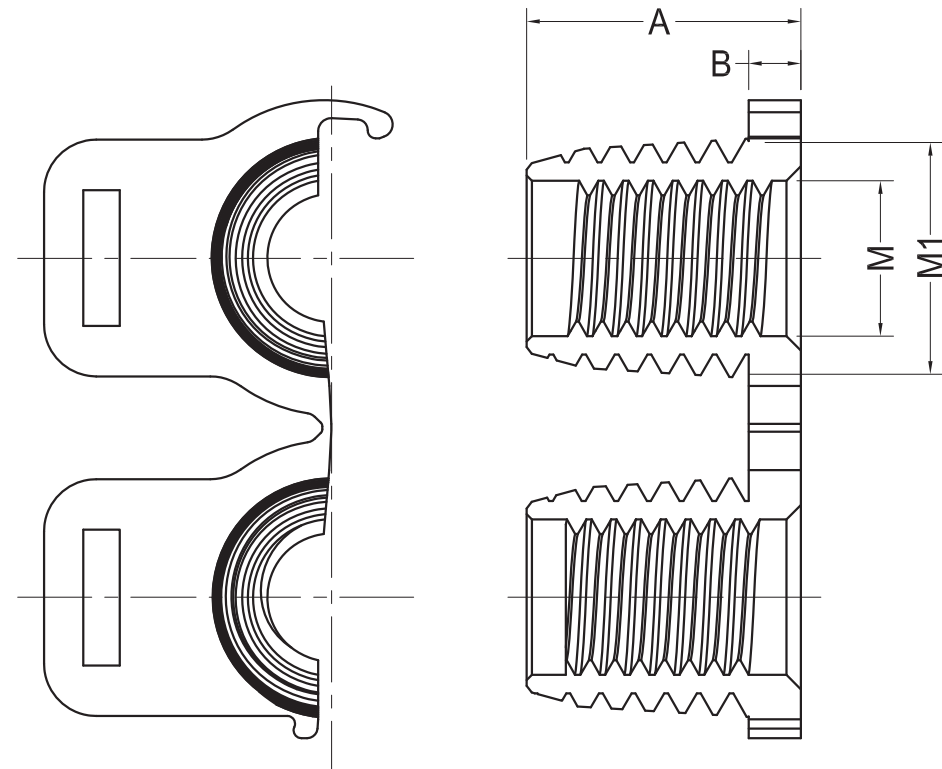
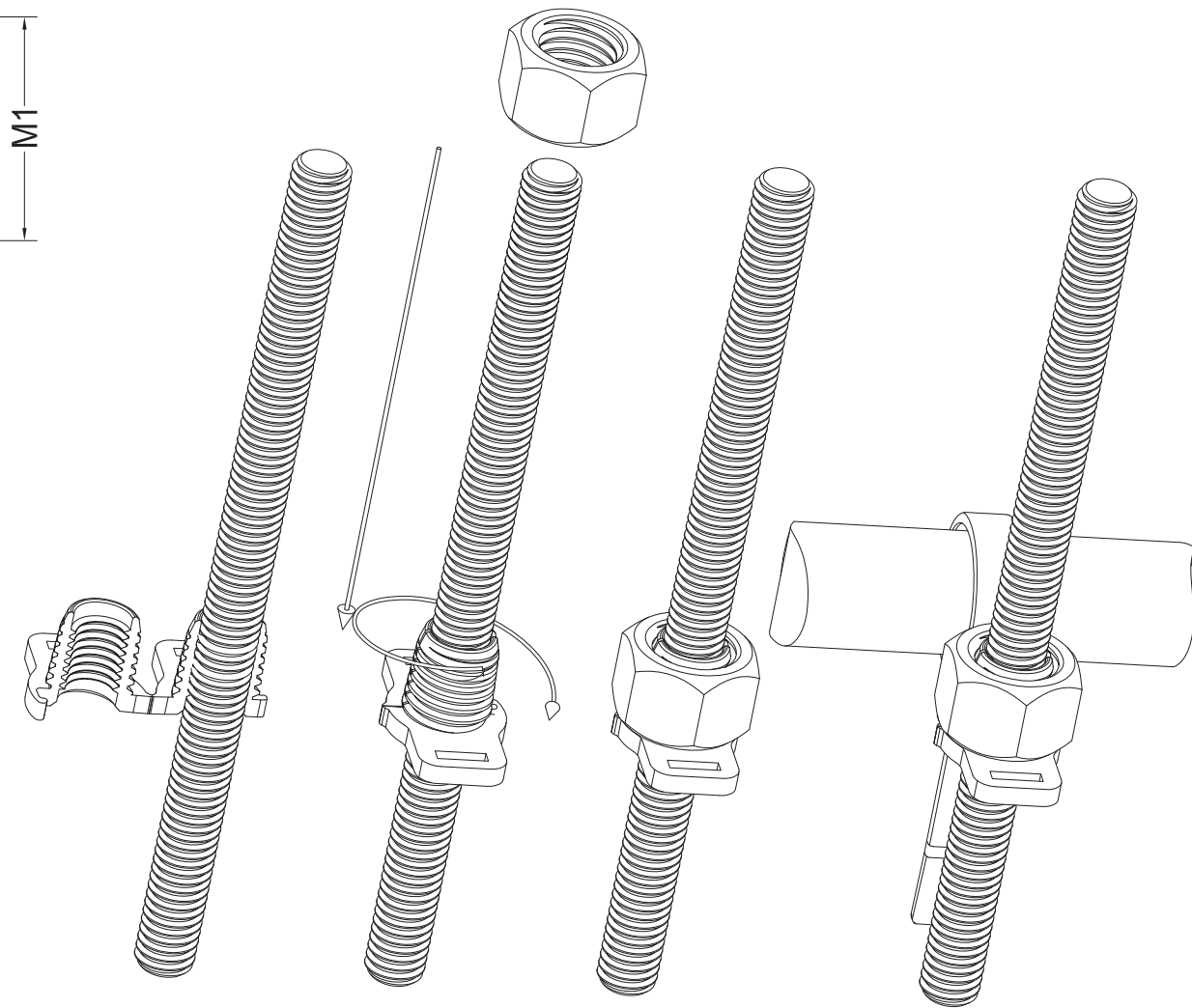


Fig. 2



Sketch Map

Notes: RoHS Compliant.

Part No.	Article No.	A	B	M	M1	Fig.	Americom GmbH https://americom.de americom Komponenten die verbinden				DATE	2021-11-2	DIMENSION	TOLERANCE	
61388	Fast Lock M5-1	9.0	1.5	M5x0.8	M8x1.25	1	TITLE	NYLON FAST LOCK				SCALE	FIT	L ≤ 4	±0.10
61389	Fast Lock M5-2	12.0	2.0			2						ARTICLE NO.	Fast Lock		
61318	Fast Lock M6-1	10.0	1.5	M6x1.0	M9x1.25	1	PART NO.	SEE TABLE				VERSION	A0	15 < L ≤ 50	±0.30
61319	Fast Lock M6-2	13.0	2.0			2						DWG NO.	E6908		
61390	Fast Lock M8-1			16.0	2.5	M8x1.25	M12x1.75	1							
61391	Fast Lock M8-2	2													
61392	Fast Lock M10-1	15.0	2.0	M10x1.5	M14x2.0	1									
61393	Fast Lock M10-2	18.0	2.5			2									