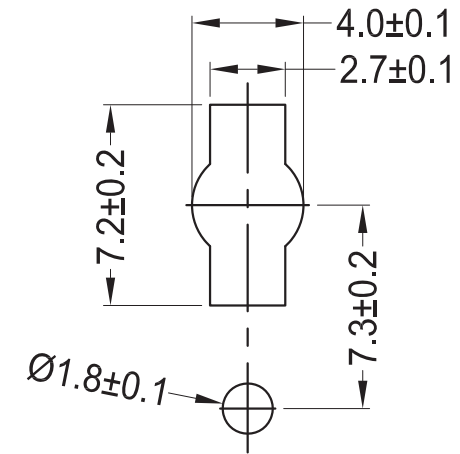


Part No.	Part Name	A	Material
61070	GWS-9-1-01	13.0	PA66 UL94 V2
61078	GWS-9-1-19		PA66 UL94 V0
61071	GWS-9-2-01	17.8	PA66 UL94 V2
61079	GWS-9-2-19		PA66 UL94 V0
61080	GWS-9-3-01	26.9	PA66 UL94 V2
61082	GWS-9-3-19		PA66 UL94 V0
61081	GWS-9-4-01	34.8	PA66 UL94 V2
61083	GWS-9-4-19		PA66 UL94 V0

Mounting Hole Detail



Panel Thickness:0.8-1.6mm.

Notes:

- 1.Color:Natural;
- 2.RoHS Compliant;

Americom GmbH <a href="https://americom.de">https://americom.de</a>						americom Komponenten die verbinden		DATE	2017-11-29	DIMENSION	TOLERANCE
TITLE	WIRE SADDLE (QUARTER - TURN BASE)					SCALE	FIT	L≤4	±0.10		
PART NAME	GWS-9	MOLD NO.	S1040	DRAW	JF	UNIT	MM	4 < L ≤ 15	±0.20		
PART NO.	SEE TABLE	MATERIAL	SEE TABLE	DESIGN	JF	VERSION	A0	15 < L ≤ 50	±0.30		
DWG NO.	E6287	COLOR	SEE NOTES	APPROVAL	FDL	VIEW		50 < L ≤ 100	±0.40		