

Fig.1

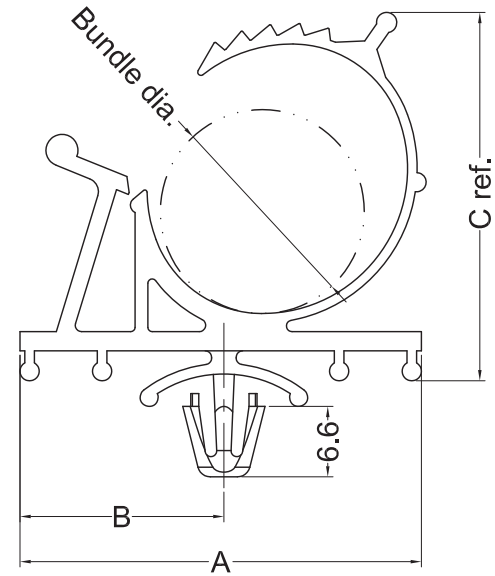
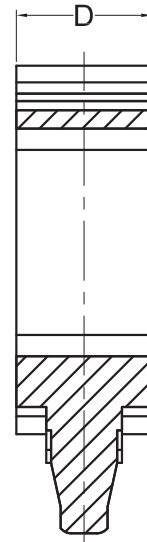


Fig.2

Part No.	Article No.	A	B	C	D	Hole	Panel Thickness	Bundle Dia.	Material	Fig.		
61355	GPAKKL-3140-01	19.1	9.7	23.8	8.9	Ø6.35±0.08	0.8-1.5	Ø7.9-10.2	PA66 UL94V2	1		
61354	GPAKKL-3140-19								PA66 UL94V0			
60591	GPAKKL-4756-01	31.4	15.7	29.6	12.6				Ø11.9-14.0		PA66 UL94V2	2
60810	GPAKKL-4756-19										PA66 UL94V0	
60414	GPAKKL-5775-01	37.6	19.1	34.5	12.7			Ø14.7-19.1	PA66 UL94V2	2		
60871	GPAKKL-5775-19								PA66 UL94V0			

Notes:

- 1.Color:Natural;
- 2.RoHS Compliant;

Americom GmbH https://americom.de								DATE	2021-7-16	DIMENSION	TOLERANCE
TITLE	PLUG IN ADJUSTABLE CLIP					SCALE	FIT	L ≤ 4	±0.10		
PART NAME	GPAKKL	MOLD NO.	S0585/S0693/S1217	DRAW	JF	UNIT	MM	4 < L ≤ 15	±0.20		
PART NO.	SEE TABLE	MATERIAL	SEE TABLE	DESIGN	JF	VERSION	A0	15 < L ≤ 50	±0.30		
DWG NO.	E6147	COLOR	SEE NOTES	APPROVAL	FDL	VIEW		50 < L ≤ 100	±0.40		