

Fig.1

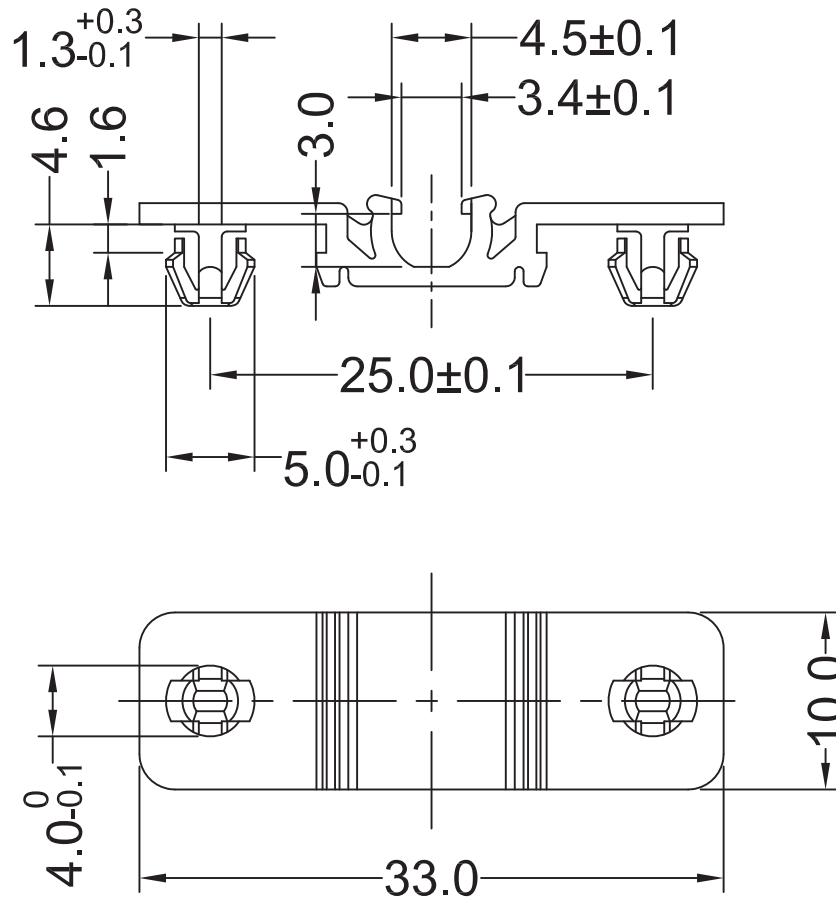
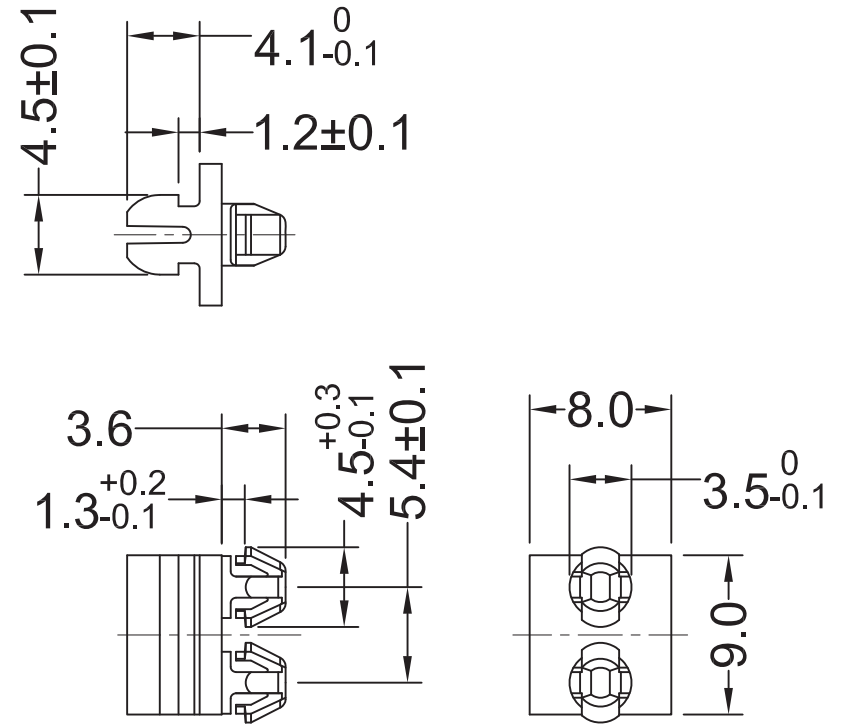


Fig.2



Part No.	Article No.	Fig.
61282	G55EC9300-C	1
61283	G55EC9300-S	2

Americom GmbH https://americom.de								DATE	2021-9-29	DIMENSION	TOLERANCE
TITLE	COVER REAR HOLER / COVER BOTTOM HOLDER					SCALE	FIT	L ≤ 4	±0.10		
ARTICLE NO.	G55EC9300	MOLD NO.	/	DRAW	JF	UNIT	MM	4 < L ≤ 15	±0.20		
PART NO.	SEE TABLE	MATERIAL	PA66 UL94V2	DESIGN	JF	VERSION	A0	15 < L ≤ 50	±0.30		
DWG NO.	E6319	COLOR	GRAY	APPROVAL		VIEW		50 < L ≤ 100	±0.40		

Notes: RoHS Compliant