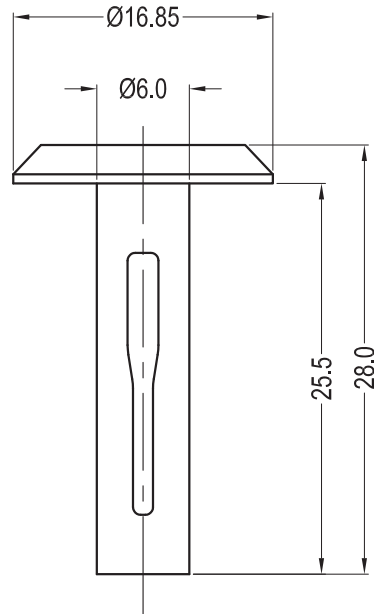
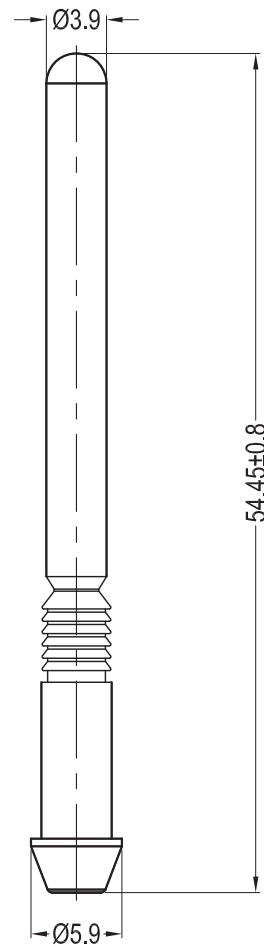


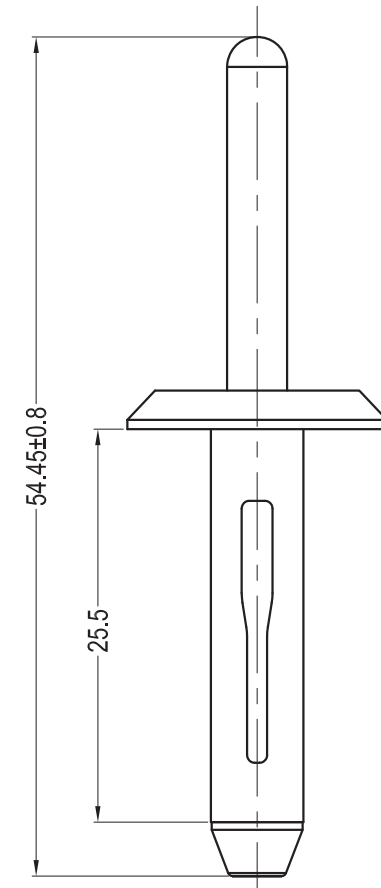
Body



Pin



Assembly Part



Notes:

1. Material: PA6 UL94V2 (Body)
POM UL94HB (Pin);
2. Color: Black;
3. RoHS Compliant;
4. Hole: $\varnothing 6.1_{-0}^{+0.1}$ mm;
Panel Thickness: 4.0-7.9 mm.

Americom GmbH
<https://americom.de>

americom
Komponenten die verbinden

| Americom GmbH https://americom.de | | | | | | DATE | 2012-9-27 | DIMENSION | | TOLERANCE | |
|--|---------------|----------|-----------|----------|-----|---------|-----------|-------------------|------------|-----------|--|
| TITLE | BLIND RIVETS | | | | | SCALE | FIT | $L \leq 4$ | ± 0.10 | | |
| PART NAME | GA-CR58-54-01 | MOLD NO. | S0648 | DRAW | ZHR | UNIT | MM | $4 < L \leq 15$ | ± 0.20 | | |
| PART NO. | 20891 | MATERIAL | SEE NOTES | DESIGN | ZHR | VERSION | A0 | $15 < L \leq 50$ | ± 0.30 | | |
| DWG NO. | E2223 | COLOR | SEE NOTES | APPROVAL | FDL | VIEW | | $50 < L \leq 100$ | ± 0.40 | | |