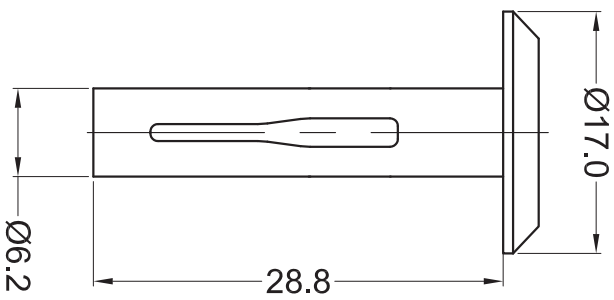
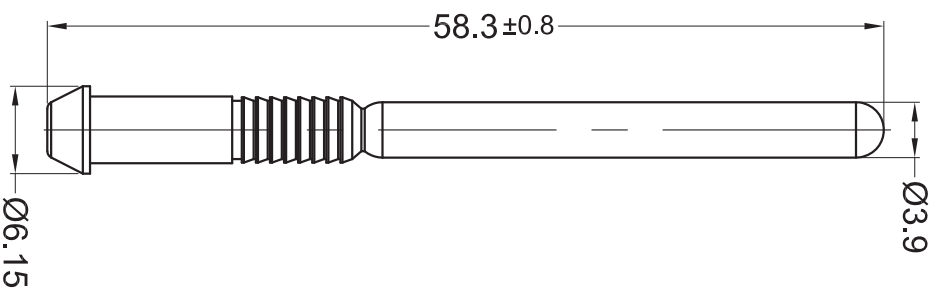


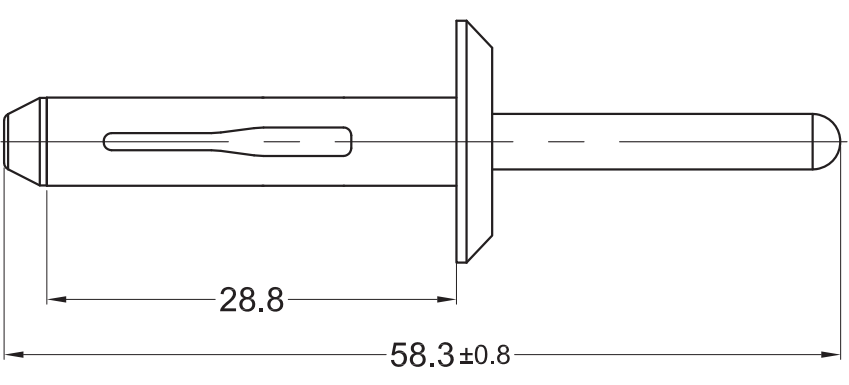
## Body



## Pin



## Assembly Part



### Notes:

1. Material: PA6 UL94V2 (Body)  
POM UL94HB (Pin);
  2. Color: Black;
  3. RoHS Compliant;
  4. Hole:  $\text{Ø}6.3^{+0.1}_{-0}$  mm;
- Panel Thickness:  $7.5 - 11.5$  mm;

Americom GmbH <a href="https://americom.de">https://americom.de</a>				americom Komponenten die Verbinden				DATE	2019-5-15	DIMENSION	TOLERANCE
TITLE	BLIND RIVETS							SCALE	FIT	$L \leq 4$	$\pm 0.10$
PART NAME	GA-CR62-54B-01	MOLD NO.	S0699700	DRAW	FDL	UNIT	MM	$4 < L \leq 15$	$\pm 0.20$		
PART NO.	20727	MATERIAL	SEE NOTES	DESIGN	FDL	VERSION	A0	$15 < L \leq 50$	$\pm 0.30$		
DWG NO.	E2246	COLOR	SEE NOTES	APPROVAL	FDL	VIEW		$50 < L \leq 100$	$\pm 0.40$		