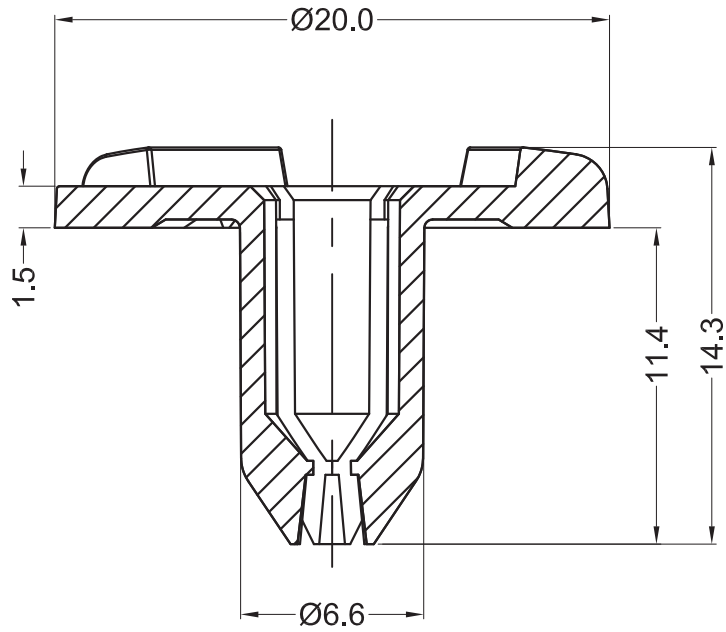
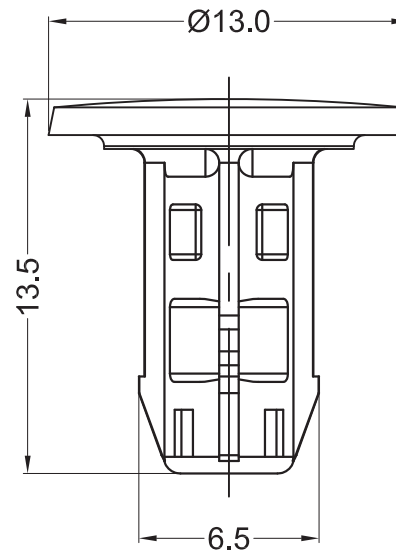


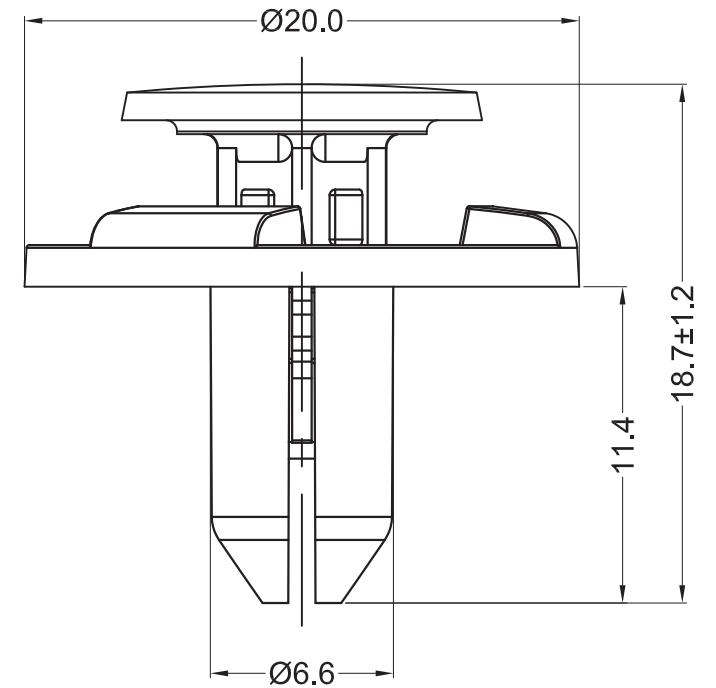
Body



Pin



Assembly Part



Notes:

- 1. Material: POM UL94HB;
- 2. Color: Black;
- 3. RoHS Compliant;
- 4. Hole: Ø6.7-6.8mm;
Panel Thickness: 1.0-4.0mm.

Americom GmbH
<https://americom.de>



DATE	2021-9-18	DIMENSION	L ≤ 4	TOLERANCE	±0.10
SCALE	FIT	L ≤ 4	±0.10		
UNIT	MM	4 < L ≤ 15	±0.20		
VERSION	A0	15 < L ≤ 50	±0.30		
VIEW		50 < L ≤ 100	±0.40		

TITLE	PUSH LOCK RIVETS				
ARTICLE NO.	GA6611B	MOLD NO.	S1170/S1171	DRAW	PLK
PART NO.	10026	MATERIAL	SEE NOTES	DESIGN	PLK
DWG NO.	E1035	COLOR	SEE NOTES	APPROVAL	FDL