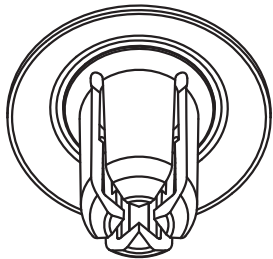
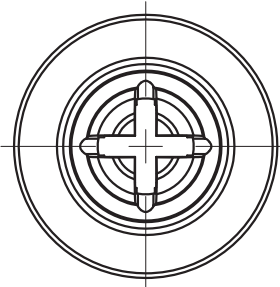
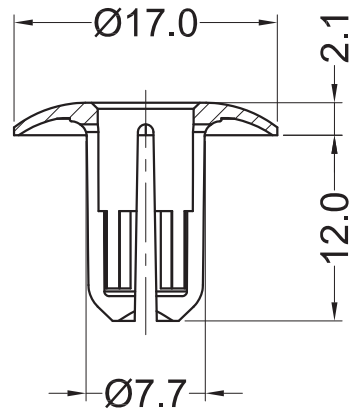
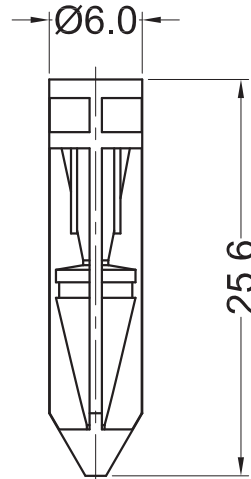


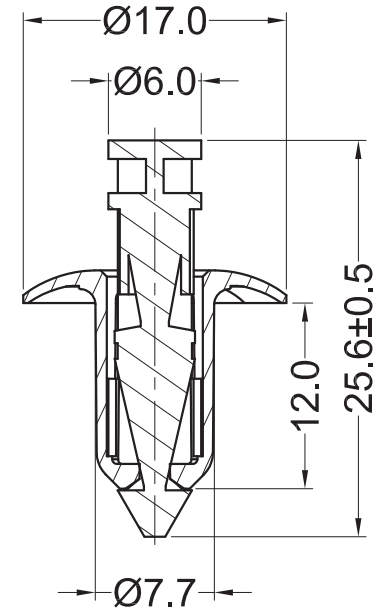
# Body



# Pin






# Assembly Part



### Notes:

1. RoHS Compliant;
2. Hole:  $\text{Ø}7.9\pm0.08\text{mm}$ ;  
Panel Thickness: 3.0-7.0mm.

Americom GmbH <a href="https://americom.de">https://americom.de</a>						 Komponenten die verbinden		DATE	2021-2-4	DIMENSION	TOLERANCE
TITLE	PUSH LOCK RIVETS					SCALE	FIT	$L \leq 4$	$\pm 0.10$		
ARTICLE NO.	GA7712B-SP	MOLD NO.	/	DRAW	JF	UNIT	MM	$4 < L \leq 15$	$\pm 0.20$		
PART NO.	10054	MATERIAL	POM UL94HB	DESIGN	JF	VERSION	A0	$15 < L \leq 50$	$\pm 0.30$		
DWG NO.	E1103	COLOR	BLACK	APPROVAL	FDL	VIEW	 	$50 < L \leq 100$	$\pm 0.40$		