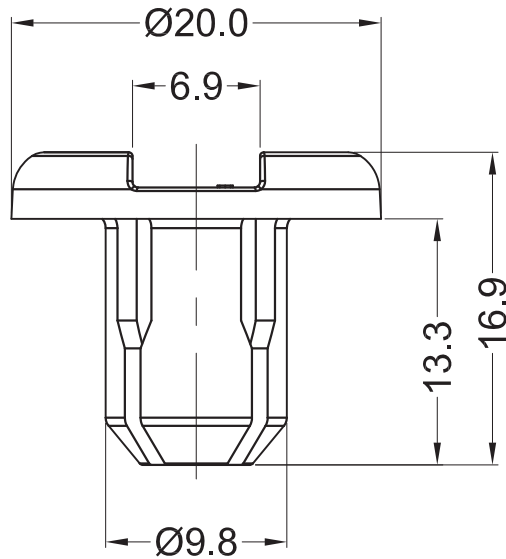
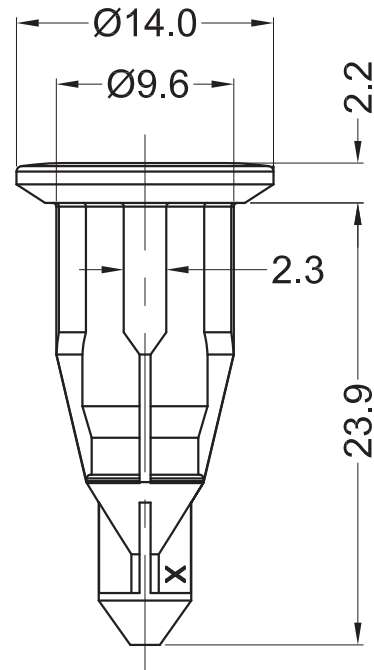


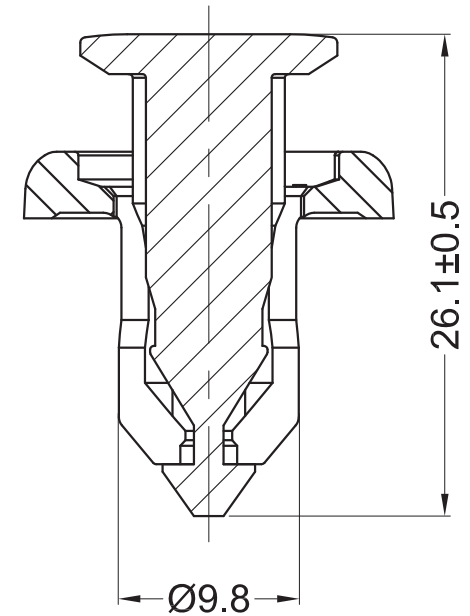
### Body



### Pin



### Assembly Part



**Notes:**

- 1. Material: POM UL94HB (Body)  
PP UL94HB (Pin);
- 2. Color: Black;
- 3. RoHS Compliant;
- 4. Hole:  $\text{Ø}10.0 \pm 0.08 \text{mm}$ ;  
Panel Thickness: 5.5-7.0mm.

Americom GmbH <a href="https://americom.de">https://americom.de</a>								DATE	2021-9-18	DIMENSION	TOLERANCE
TITLE	PUSH LOCK RIVETS					SCALE	FIT	$L \leq 4$	$\pm 0.10$		
ARTICLE NO.	GA9813B	MOLD NO.	S0388/S0389/S1198/S1199	DRAW	PLK	UNIT	MM	$4 < L \leq 15$	$\pm 0.20$		
PART NO.	10018	MATERIAL	SEE NOTES	DESIGN	PLK	VERSION	A0	$15 < L \leq 50$	$\pm 0.30$		
DWG NO.	E1024	COLOR	SEE NOTES	APPROVAL	FDL	VIEW		$50 < L \leq 100$	$\pm 0.40$		