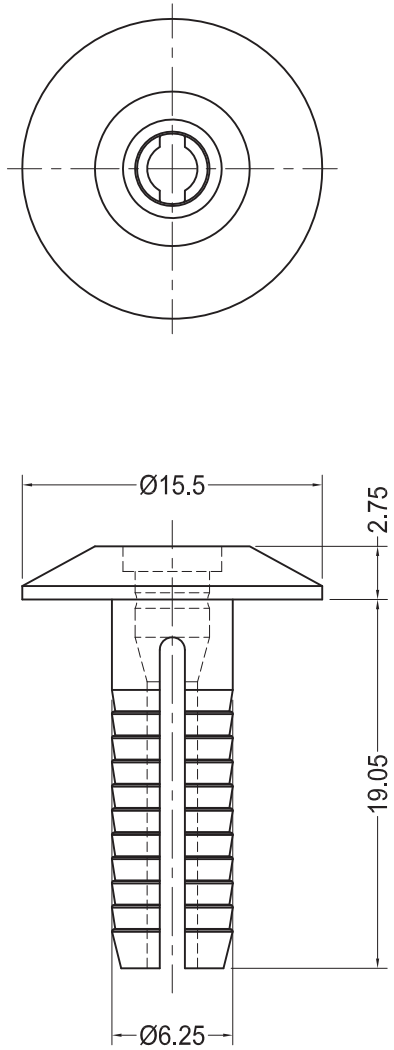
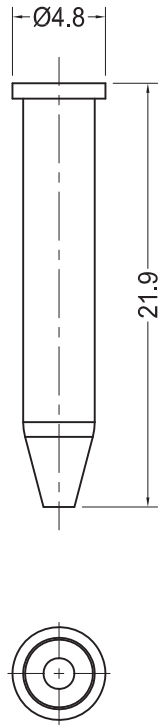


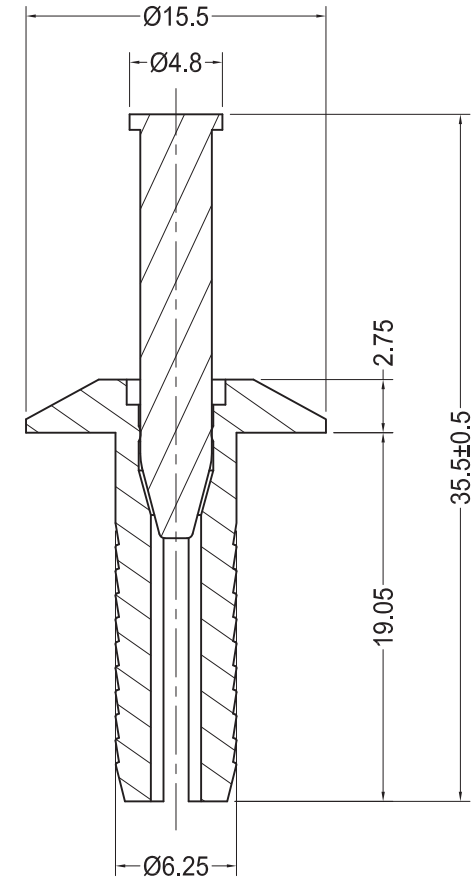
### Body



### Pin



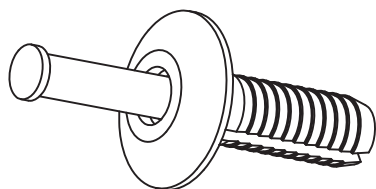
### Assembly Part


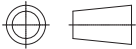


**Notes:**

- 1. Material: PA66 UL94HB (Body)  
POM UL94HB (Pin);
- 2. RoHS Compliant;
- 3. Hole:  $\varnothing 6.35^{+0.2}_{-0}$  mm;  
Panel Thickness: 2.0-10.0 mm.

Part No.	Article No.	Color
21506	GUSR6319W	White
21552	GUSR6319B	Black
21565	GUSR6319G	Grey



<b>Americom GmbH</b> <a href="https://americom.de">https://americom.de</a>						 Komponenten die verbinden		DATE	2022-5-20	DIMENSION	TOLERANCE
TITLE	PUSH LOCK RIVETS					SCALE	FIT	$L \leq 4$	$\pm 0.10$		
ARTICLE NO.	GUSR6319	MOLD NO.	S1210/S1211	DRAW	JF	UNIT	MM	$4 < L \leq 15$	$\pm 0.20$		
PART NO.	SEE TABLE	MATERIAL	SEE NOTES	DESIGN	JF	VERSION	A0	$15 < L \leq 50$	$\pm 0.30$		
DWG NO.	E2362	COLOR	SEE TABLE	APPROVAL	FDL	VIEW		$50 < L \leq 100$	$\pm 0.40$		