

Fig.1

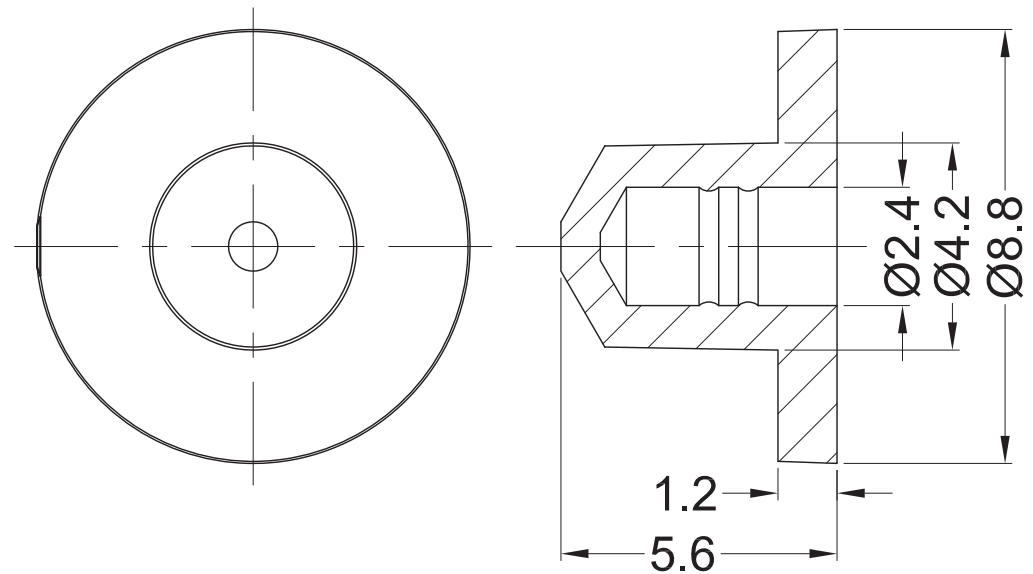


Fig.2

Part No.	Part Name.	Fig
60944	G061 0053 000 03	1
60945	G061 0042 000 03	2

Notes:

- 1.Material:LDPE;
- 2.Color:Natural;
- 3.RoHS Compliant;

Americom GmbH https://americom.de						 Komponenten die verbinden		DATE	2021-11-15	DIMENSION	TOLERANCE
TITLE	PROTECTION PLUG					SCALE	FIT	L \leq 4	\pm 0.10		
PART NAME	G061	MOLD NO.	S0948/949	DRAW	PLK	UNIT	MM	4 < L \leq 15	\pm 0.20		
PART NO.	SEE TABLE	MATERIAL	SEE NOTES	DESIGN	PLK	VERSION	A0	15 < L \leq 50	\pm 0.30		
DWG NO.	E6262	COLOR	SEE NOTES	APPROVAL	FDL	VIEW		50 < L \leq 100	\pm 0.40		