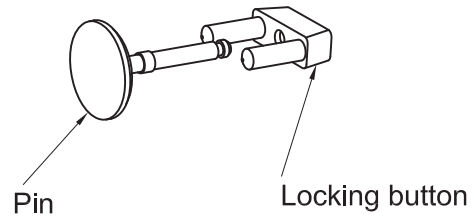
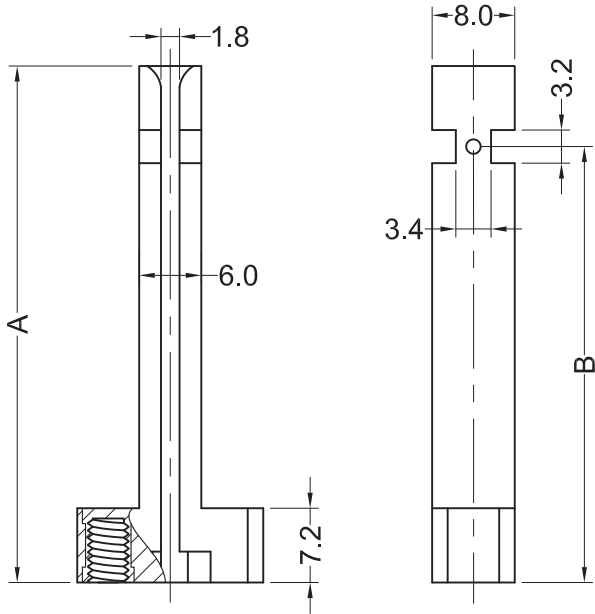
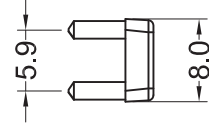
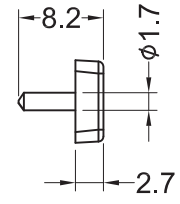
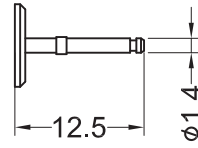
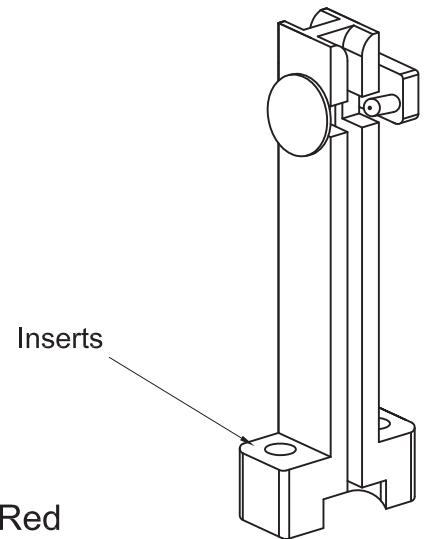


2-M3 x 0.5



Pin

Locking button



Inserts

Notes:

- 1.Body: PA6 UL94 HB glass filled 30%; Color: Blue
- 2.Locking Button: PA6 UL94 HB glass filled 30%; Color: Red
- 3.Inserts: Brass Nickel Plated
- 4.Pin: Brass Nickel Plated
- 5.RoHS Compliant

Part No.	Article No.	A	B
61272	GSV050MBM	50.0	42.2
61273	GSV065MBM	65.0	57.2
61274	GSV090MBM	90.0	82.2
61275	GSV120MBM	120.0	112.2

Americom GmbH
<https://americom.de>



DATE

2021-11-9

DIMENSION

TOLERANCE

TITLE VERTICAL MOUNT PC BOARD GUIDE

SCALE

FIT

$L \leq 4$

± 0.10

ARTICLE NO.	GSV	MOLD NO.	/	DRAW	JF	UNIT	MM	$4 < L \leq 15$	± 0.20
PART NO.	SEE TABLE	MATERIAL	SEE NOTES	DESIGN	JF	VERSION	A0	$15 < L \leq 50$	± 0.30
DWG NO.	E6308	COLOR	SEE NOTES	APPROVAL		VIEW		$50 < L \leq 100$	± 0.40