

Fig.1

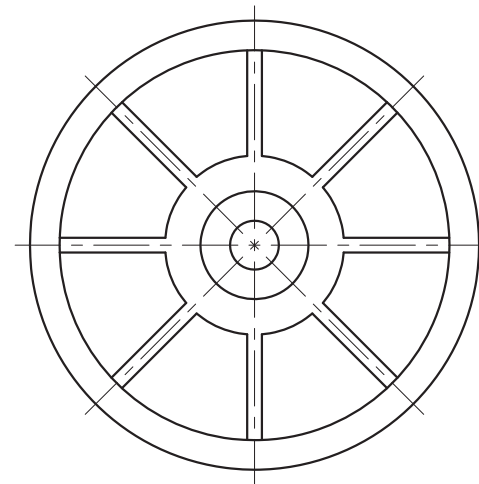
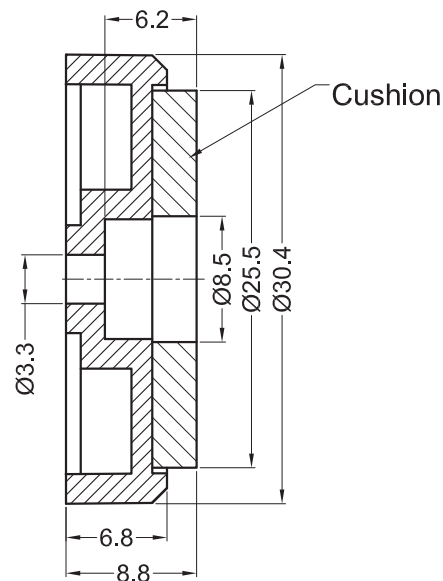


Fig.2

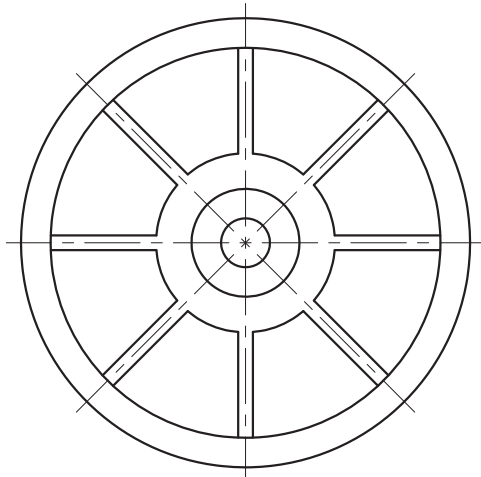
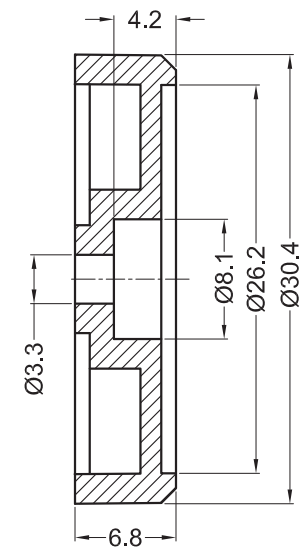
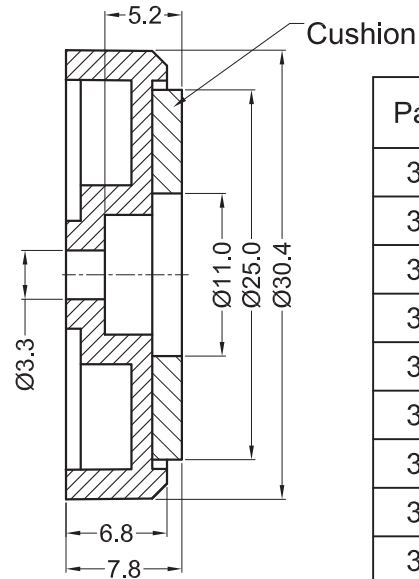


Fig.3



| Part No. | Article No. | Cushion Material | Cushion Size | Finish | Fig. |
|----------|----------------|------------------|----------------|---------------------|------|
| 30073 | GBF-3010 | EVA Tape | 3.0T*26.0*8.0 | / | 1 |
| 30074 | GBF-3010(RU)-S | RUBBER | 2.0T*25.0*11.0 | Silver Plated | 3 |
| 30075 | GBF-3010B-S | / | / | | 2 |
| 30076 | GBF-3010B-SW | / | / | Silver-White Plated | |
| 30077 | GBF-3010B-G | / | / | Gold Plated | |
| 30078 | GBF-3010-S | EVA Tape | 3.0T*26.0*8.0 | Silver Plated | 1 |
| 30079 | GBF-3010-SW | EVA Tape | 3.0T*26.0*8.0 | Silver-White Plated | |
| 30080 | GBF-3010-G | EVA Tape | 3.0T*26.0*8.0 | Gold Plated | |
| 30190 | GBF-3010-S1 | EVA Tape | 3.0T*26.0*8.0 | Silver Plated | |

Notes:

- 1.Foot Material: ABS UL94 HB;
- 2.Color: Black;
- 3.RoHS Compliant;

Americom GmbH
<https://americom.de>



| DATE | 2021-11-19 | DIMENSION | L ≤ 4 | TOLERANCE | ±0.10 | | | | |
|-------------|------------|-----------|-----------|-----------|-------|---------|-------|--------------|-------|
| TITLE | ABS FOOT | | | | SCALE | FIT | L ≤ 4 | ±0.10 | |
| ARTICLE NO. | GBF-3010 | MOLD NO. | S0145 | DRAW | JF | UNIT | MM | 4 < L ≤ 15 | ±0.20 |
| PART NO. | SEE TABLE | MATERIAL | SEE NOTES | DESIGN | JF | VERSION | A0 | 15 < L ≤ 50 | ±0.30 |
| DWG NO. | E3022 | COLOR | SEE NOTES | APPROVAL | FDL | VIEW | | 50 < L ≤ 100 | ±0.40 |