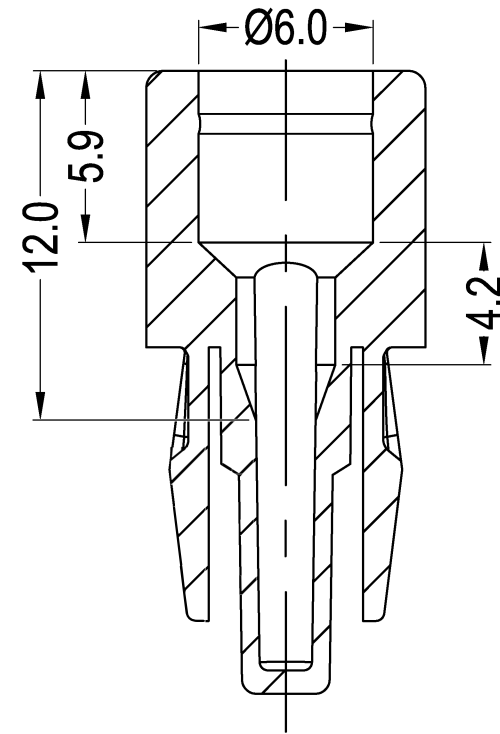
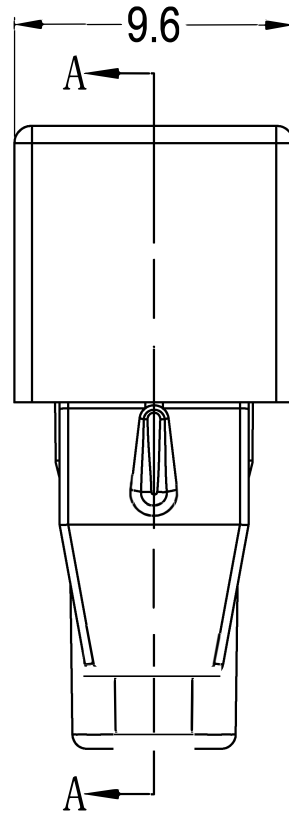
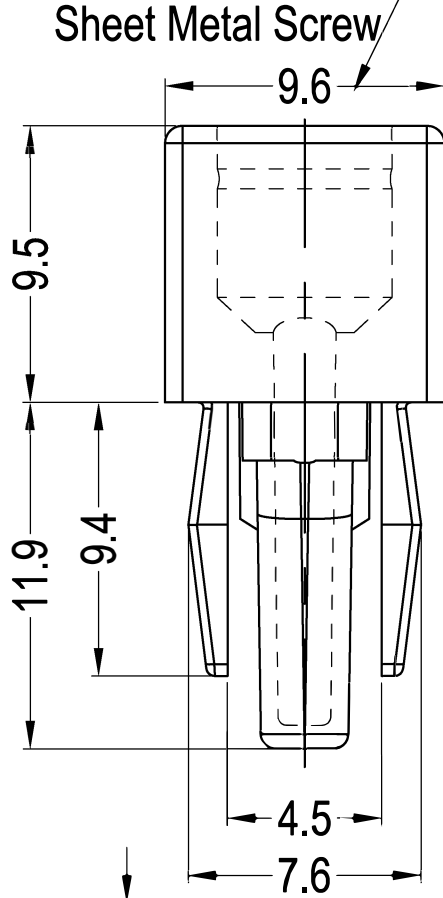


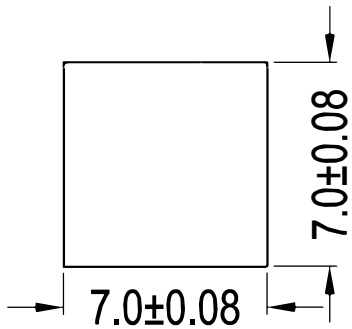
Top Hole: For 3.0mm Self-Tapping Sheet Metal Screw



SECTION A-A

Notes:

1. Material: PA66 UL94 V2;
2. Color: Natural;
3. RoHS Compliant;



Mounting Hole
Panel Thickness: 0.51-3.56mm

https://americom.de						americom Komponenten die verbinden		DATE	2015-4-1	DIMENSION	TOLERANCE
TITLE	EXPANSION GROMMET					SCALE	FIT	L ≤ 4	±0.10		
PART NAME	GUS08-0765	MOLD NO.	S0345	DRAW	ZHR	UNIT	MM	4 < L ≤ 15	±0.20		
PART NO.	60064	MATERIAL	SEE NOTES	DESIGN	ZHR	VERSION	A0	15 < L ≤ 50	±0.30		
DWG NO.	E6032	COLOR	SEE NOTES	APPROVAL	FDL	VIEW		50 < L ≤ 100	±0.40		