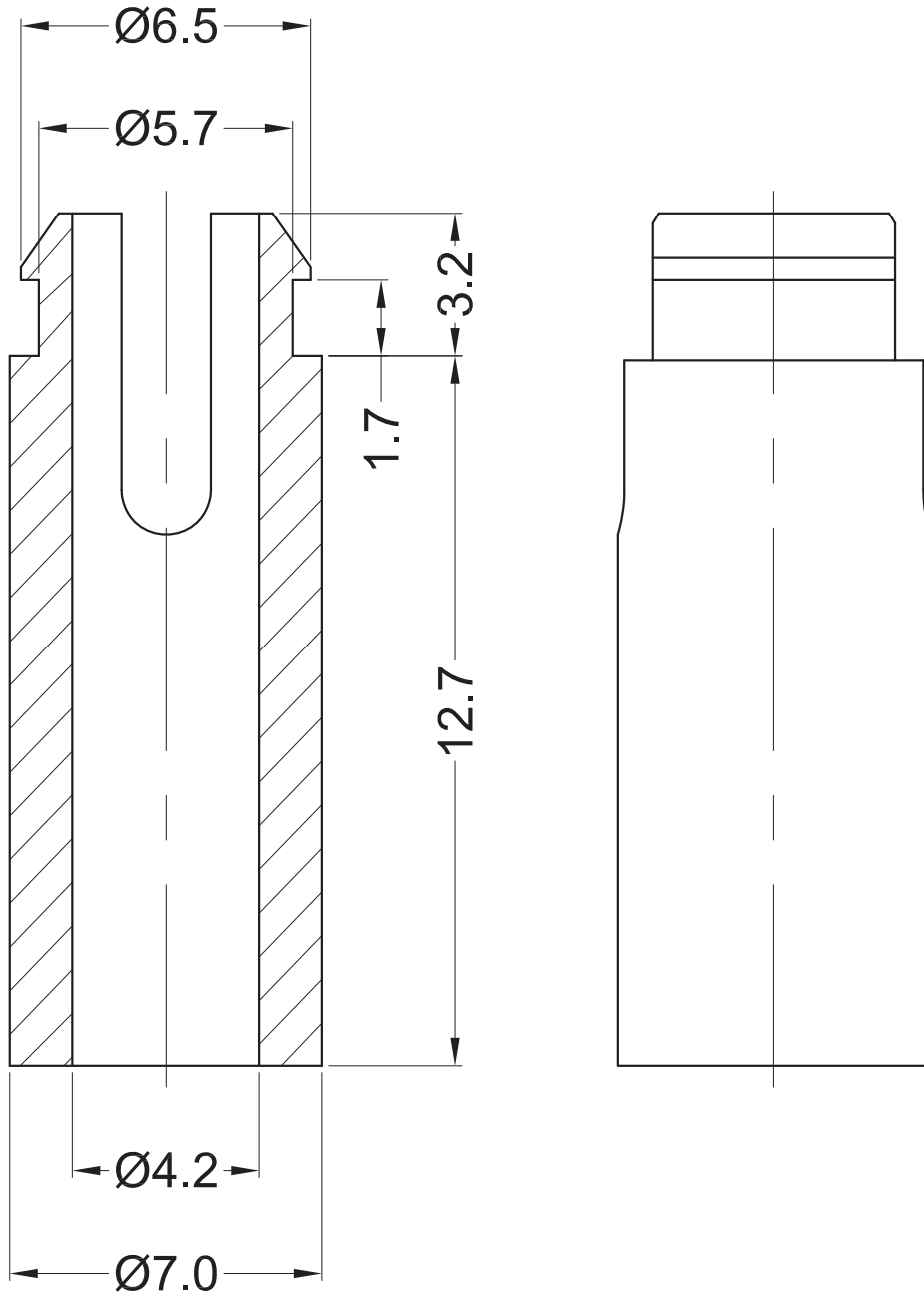


Part No.	Article No.	Part No.	Article No.
43474	GSR6-2-8-66	43475	GSR6-2-8-V0
Material: PA66 UL94 V2		Material: PA66 UL94 V0	

Notes:

- 1.RoHS Compliant;
- 2.Color: Natural;
- 3.Hole: $\varnothing 5.9 \pm 0.08 \text{mm}$,
Panel Thickness: 1.57mm;
- 4.For #6(M3.5) Screw.



Americom GmbH
<https://americom.de>

americom
 Komponenten die verbinden

DATE

2020-12-21

DIMENSION

TOLERANCE

TITLE

SEIF-RETAINING SPACER

SCALE

FIT

$L \leq 4$

± 0.10

ARTICLE NO.

GSR6-2

MOLD NO.

S0312

DRAW

JF

UNIT

MM

$4 < L \leq 15$

± 0.20

PART NO.

SEE TABLE

MATERIAL

SEE TABLE

DESIGN

JF

VERSION

A0

$15 < L \leq 50$

± 0.30

DWG NO.

E4368

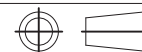
COLOR

SEE NOTES

APPROVAL

FDL

VIEW



$50 < L \leq 100$

± 0.40