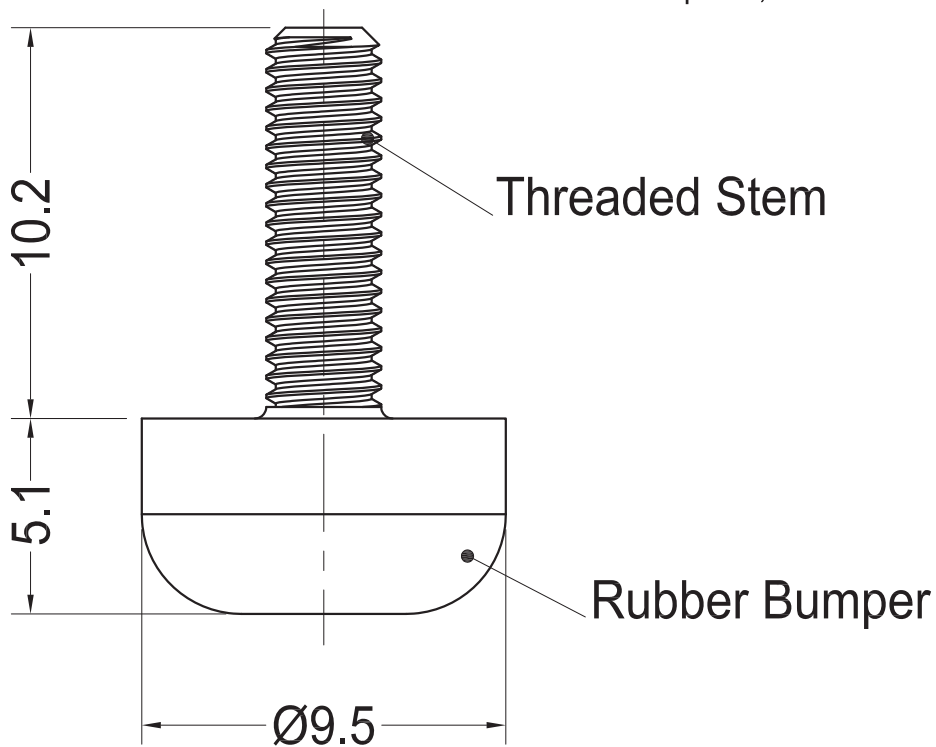

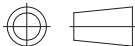


Notes:

1. Material: Rubber Bumper-IIR, Shore 40-50A Durometer
Threaded Stem-Brass;
2. Color: Rubber Bumper-Black
Threaded Stem-As Machiend;
3. Typical Compression For 10 LB Max Load=0.8;
4. RoHS Compliant;



Part No.	Article No.	Thread Type
50916	GTB-1	#6-32
50917	GTB-2	#8-32
50918	GTB-3	M3
50919	GTB-4	M4

Americom GmbH https://americom.de					 Komponenten die verbinden		DATE	2021-2-3	DIMENSION	TOLERANCE
TITLE	THREADED BUMPERS					SCALE	FIT	L ≤ 4	±0.10	
ARTICLE NO.	GTB	MOLD NO.	/	DRAW	JF	UNIT	MM	4 < L ≤ 15	±0.20	
PART NO.	SEE TABLE	MATERIAL	SEE NOTES	DESIGN	JF	VERSION	A0	15 < L ≤ 50	±0.30	
DWG NO.	E5065	COLOR	SEE NOTES	APPROVAL	FDL	VIEW		50 < L ≤ 100	±0.40	