

# GVP3081

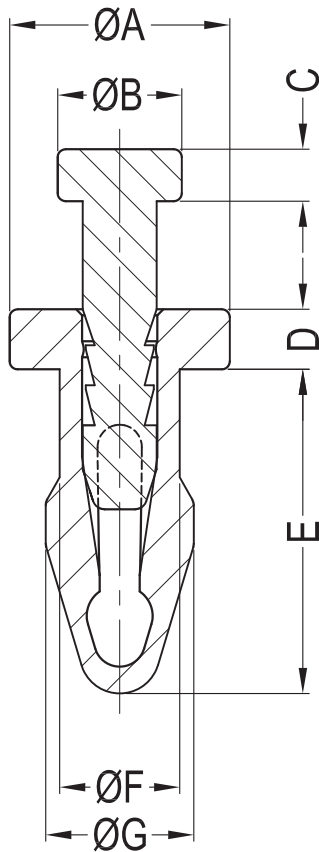


Fig.1

# GVP3095

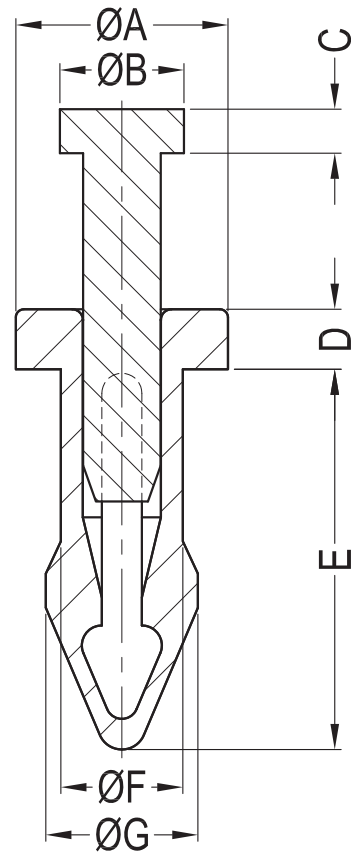


Fig.2

Notes:

- 1. Material: PA6 UL94 V2;
- 2. Color: Black;
- 3. RoHS Compliant.

Part No.	Article No.	A	B	C	D	E	F	G	Hole	Panel Thickness	Fig.
21490	GVP3081	5.5	3.1	1.3	1.5	8.1	3.0	3.7	Ø3.1-Ø3.3	2.7-3.3	1
20826	GVP3095	5.3	3.1	1.1	1.5	9.5	3.05	3.8	Ø3.18±0.08	3.94-4.57	2

Americom GmbH  
<https://americom.de>



DATE

2021-1-4

DIMENSION

TOLERANCE

TITLE PUSH RIVET BLUNT

SCALE

FIT

L ≤ 4

±0.10

ARTICLE NO. GVP3081&GVP3095 MOLD NO. S0246/S024/7S1200/S1201

DRAW

PLK

UNIT

MM

4 < L ≤ 15

±0.20

PART NO. SEE TABLE MATERIAL SEE NOTES

DESIGN

PLK

VERSION

A0

15 < L ≤ 50

±0.30

DWG NO. E2206 COLOR SEE NOTES

APPROVAL

FDL

VIEW



50 < L ≤ 100

±0.40