

Fig.1

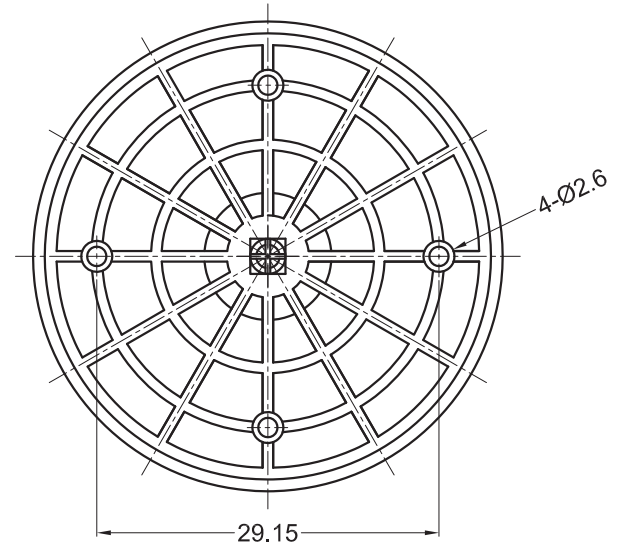
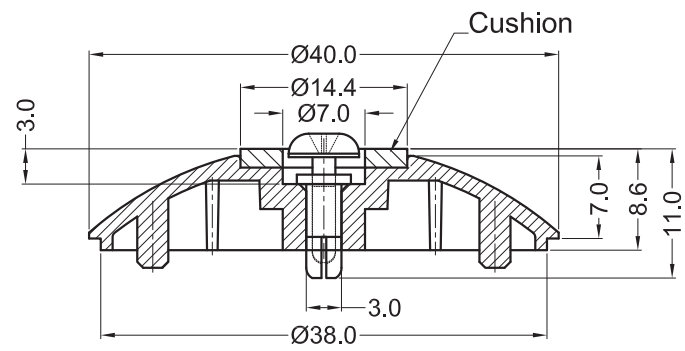

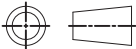


Fig.2

Notes:

- 1. Foot Material: ABS UL94 HB;
Rivet Body Material: PA6 UL94 V2;
Rivet Pin Material: POM UL94 HB;
- 2. Foot Color: Grey;
Rivet color: Black;
- 3. RoHS Compliant;

| Part No. | Article No. | Cushion Material | Cushion Size | Match Rivet | Finish | Fig. |
|----------|--------------|------------------|---------------|-------------|---------------|------|
| 30114 | GAVC-5000 | EVA Tape | 1.6T*14.4*7.0 | / | / | 1 |
| 30115 | GAVC-5000-01 | | | GTR3080B | Silver Plated | 2 |
| 30116 | GAVC-5000-SP | | | / | | 1 |

| | | | | | | | | | | | |
|--|-----------|----------|-----------|----------|-----|---|---|--------------|------------|-----------|-----------|
| Americom GmbH https://americom.de | | | | | |  | | DATE | 2019-10-23 | DIMENSION | TOLERANCE |
| TITLE | ABS FOOT | | | | | SCALE | FIT | L ≤ 4 | ±0.10 | | |
| ARTICLE NO. | GAVC-5000 | MOLD NO. | S0162 | DRAW | JF | UNIT | MM | 4 < L ≤ 15 | ±0.20 | | |
| PART NO. | SEE TABLE | MATERIAL | SEE NOTES | DESIGN | JF | VERSION | A0 | 15 < L ≤ 50 | ±0.30 | | |
| DWG NO. | E3031 | COLOR | SEE NOTES | APPROVAL | FDL | VIEW |  | 50 < L ≤ 100 | ±0.40 | | |