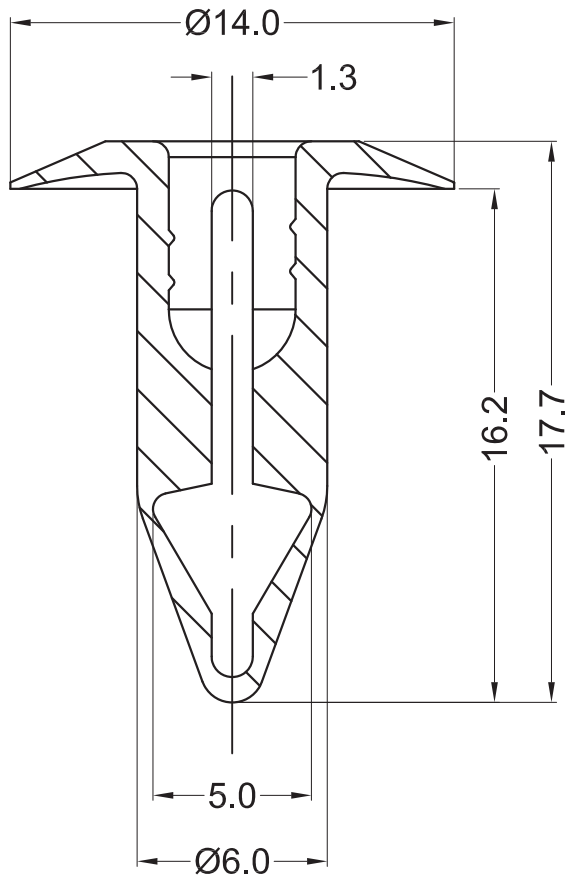
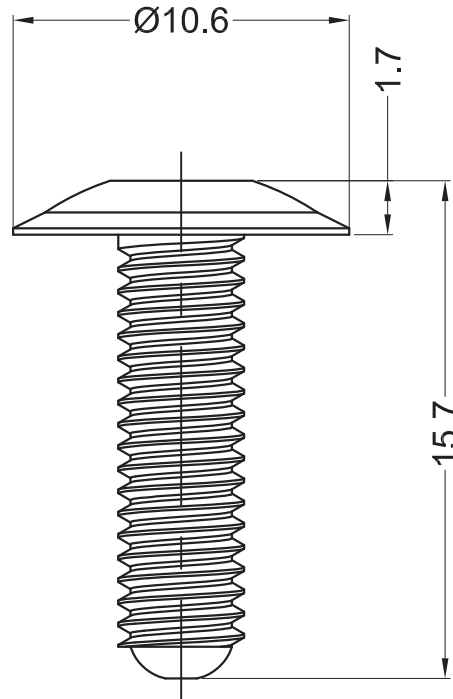


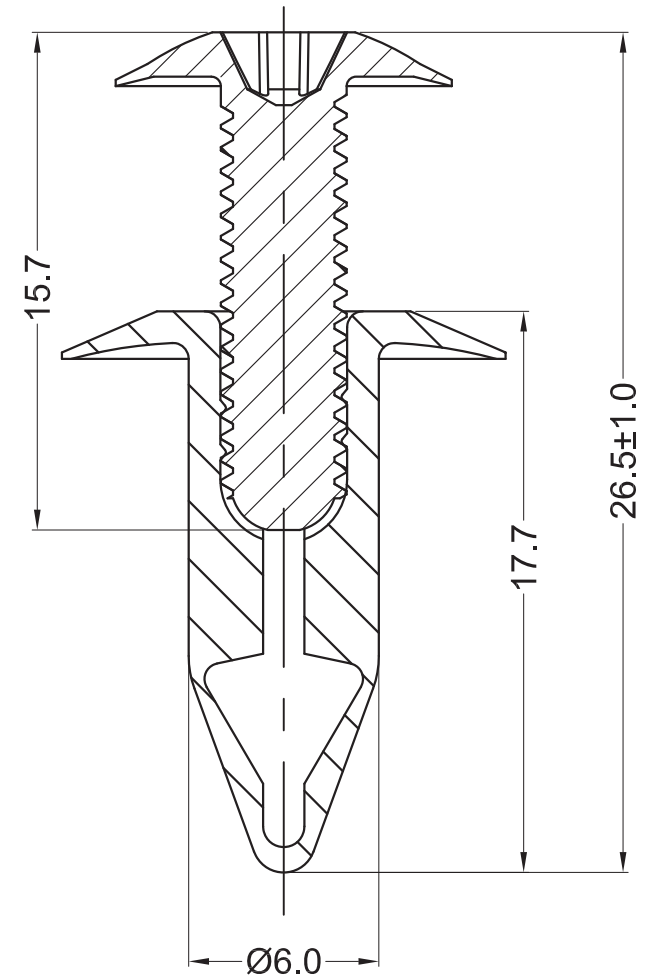
Body



Pin



Assembly Part



Notes:

1. Material: PA6 UL94V2 (Body)
POM UL94HB (Pin);
2. Color: Black;
3. RoHS Compliant;
4. Hole: $\text{Ø}6.1 \pm 0.08 \text{ mm}$;
Panel Thickness: 2.0-3.0 mm.

Americom GmbH
<https://americom.de>

americom
Komponenten die verbinden

TITLE	SCREW RIVETS					DATE	2021-9-26	DIMENSION	TOLERANCE
ARTICLE NO.	GA6016B	MOLD NO.	S0356/S0357/S1184/S1185	DRAW	PLK	SCALE	FIT	$L \leq 4$	± 0.10
PART NO.	10016	MATERIAL	SEE NOTES	DESIGN	PLK	UNIT	MM	$4 < L \leq 15$	± 0.20
DWG NO.	E1022	COLOR	SEE NOTES	APPROVAL	FDL	VERSION	A0	$15 < L \leq 50$	± 0.30
						VIEW		$50 < L \leq 100$	± 0.40