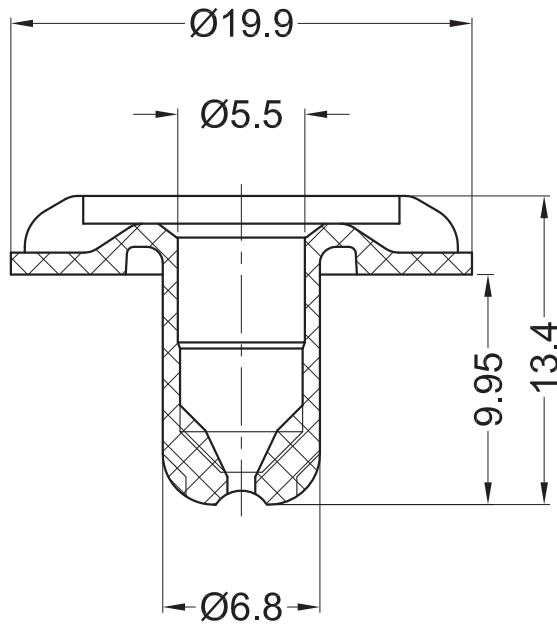
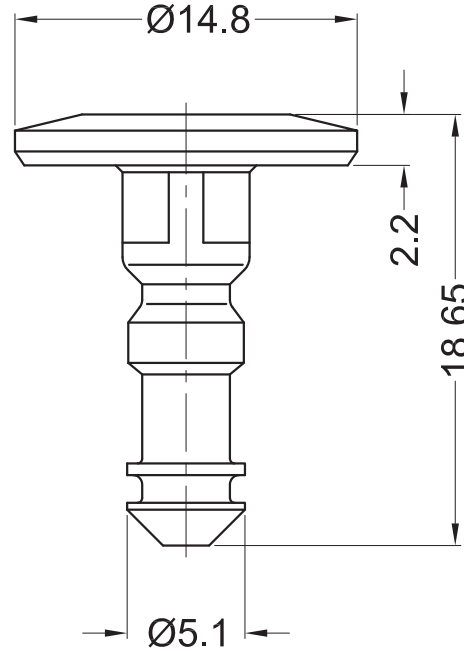


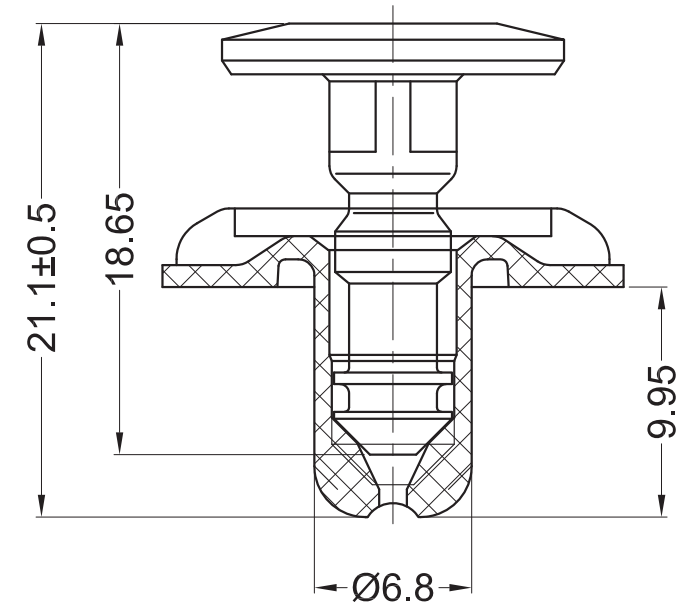
Body



Pin


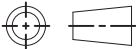


Assembly Part



Notes:

1. Material: POM UL94HB (Body)
PP UL94HB (Pin);
2. RoHS Compliant;
3. Hole: $\text{Ø}7.0 \pm 0.08 \text{ mm}$;
Panel Thickness: 2.5-5.0 mm.

Americom GmbH https://americom.de						 Komponenten die verbinden		DATE	2021-9-26	DIMENSION	TOLERANCE
TITLE	PUSH LOCK RIVETS					SCALE	FIT	$L \leq 4$	± 0.10		
ARTICLE NO.	GA6810B	MOLD NO.	S0193/S0194	DRAW	PLK	UNIT	MM	$4 < L \leq 15$	± 0.20		
PART NO.	10001	MATERIAL	SEE NOTES	DESIGN	PLK	VERSION	A0	$15 < L \leq 50$	± 0.30		
DWG NO.	E1008	COLOR	Black	APPROVAL	FDL	VIEW		$50 < L \leq 100$	± 0.40		