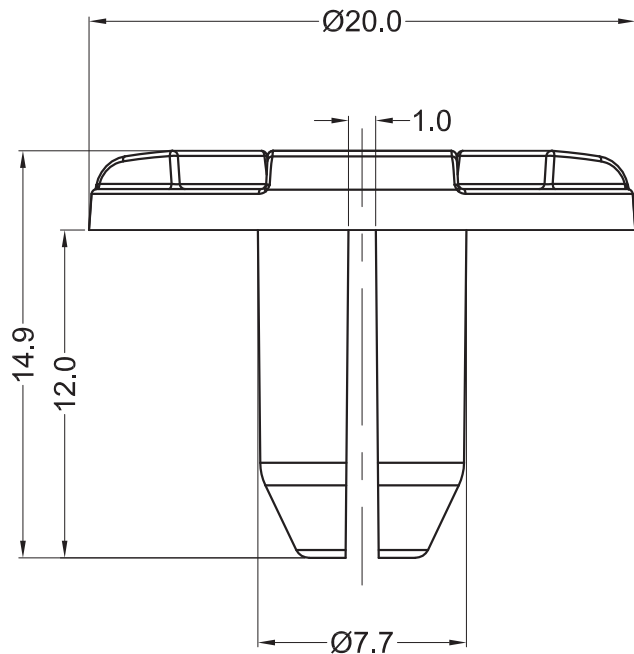
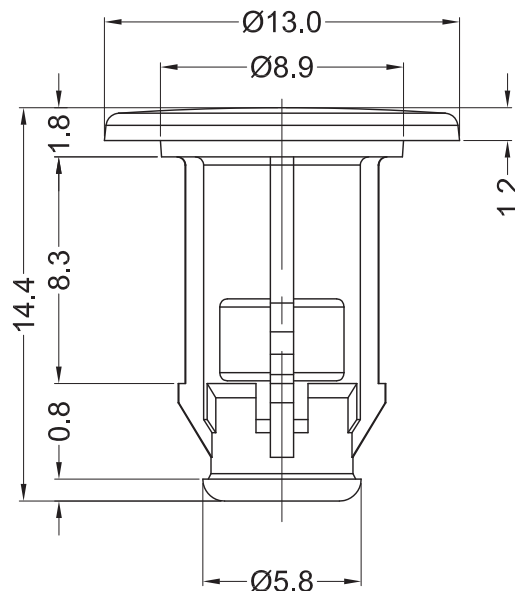


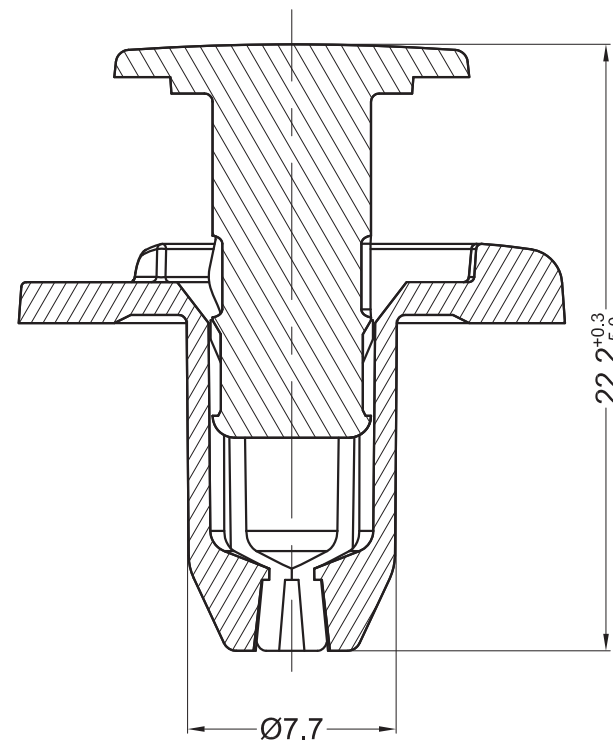
Body



Pin


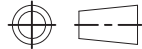


Assembly Part



Notes:

- 1.Material:POM UL94HB;
- 2.Color:Black;
- 3.RoHS Compliant;
- 4.Hole:Ø7.8±0.08mm;
Panel Thickness:3.0-6.0mm.

Americom GmbH https://americom.de						 Komponenten die verbinden		DATE	2021-9-27	DIMENSION	TOLERANCE
TITLE	PUSH LOCK RIVETS					SCALE	FIT	L ≤ 4	±0.10		
ARTICLE NO.	GA7712B	MOLD NO.	S0600/S0601/S1186/S1187	DRAW	PLK	UNIT	MM	4 < L ≤ 15	±0.20		
PART NO.	10031	MATERIAL	SEE NOTES	DESIGN	PLK	VERSION	A0	15 < L ≤ 50	±0.30		
DWG NO.	E1045	COLOR	SEE NOTES	APPROVAL	FDL	VIEW		50 < L ≤ 100	±0.40		