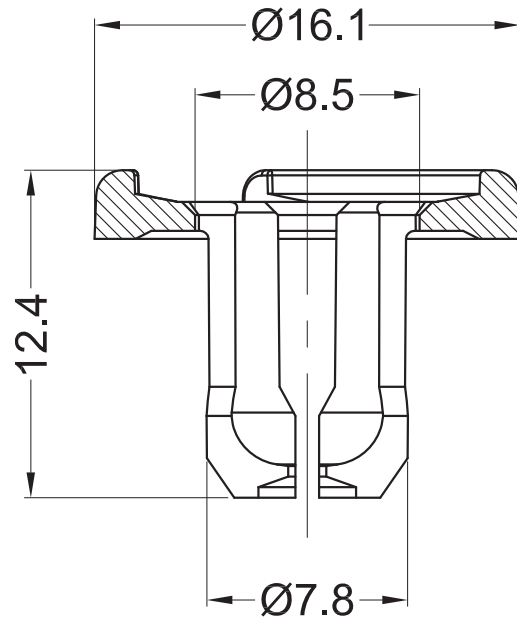
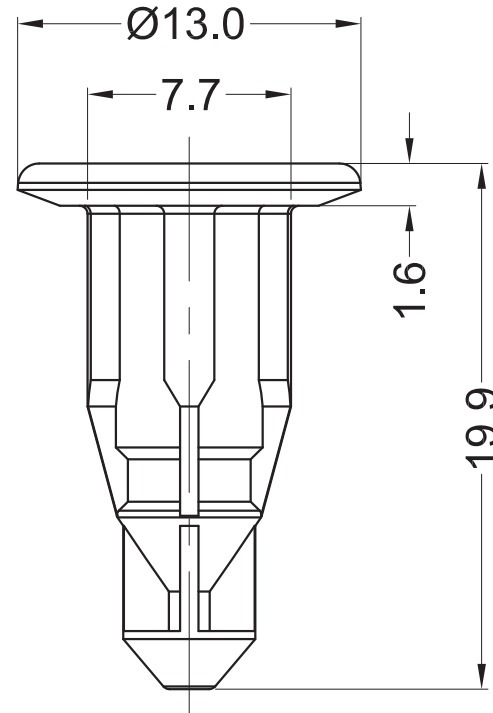


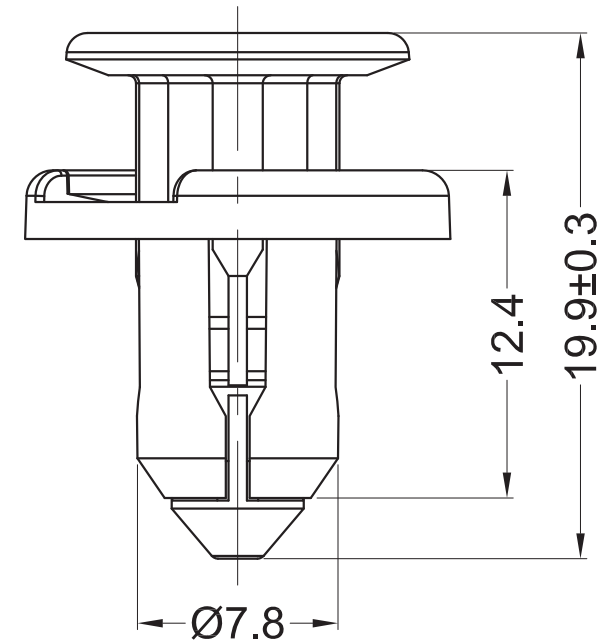
Body



Pin



Assembly Part



Notes:

1. Material: POM UL94HB;
2. Color: Black;
3. RoHS Compliant;
4. Hole: Ø8.0±0.08mm;
Panel Thickness: 4.5-4.8mm.

Americom GmbH
<https://americom.de>



DATE	2021-12-9	DIMENSION		TOLERANCE	
SCALE	FIT	L ≤ 4		±0.10	
UNIT	MM	4 < L ≤ 15		±0.20	
VERSION	A0	15 < L ≤ 50		±0.30	
VIEW		50 < L ≤ 100		±0.40	

Americom GmbH https://americom.de						PUSH LOCK RIVETS			
ARTICLE NO.	GA7810B	MOLD NO.	S0306/307	DRAW	JF	UNIT	MM	4 < L ≤ 15	±0.20
PART NO.	10010	MATERIAL	SEE NOTES	DESIGN	JF	VERSION	A0	15 < L ≤ 50	±0.30
DWG NO.	E1019	COLOR	SEE NOTES	APPROVAL	FDL	VIEW		50 < L ≤ 100	±0.40