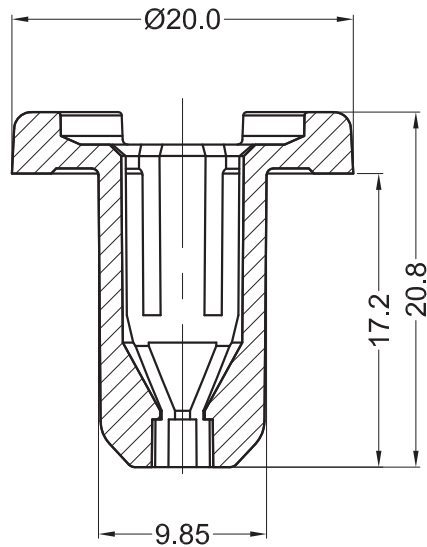
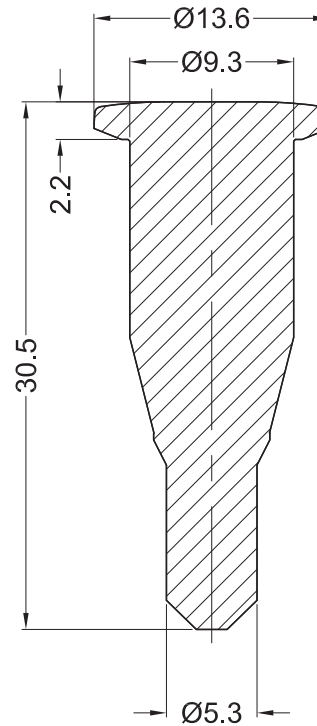


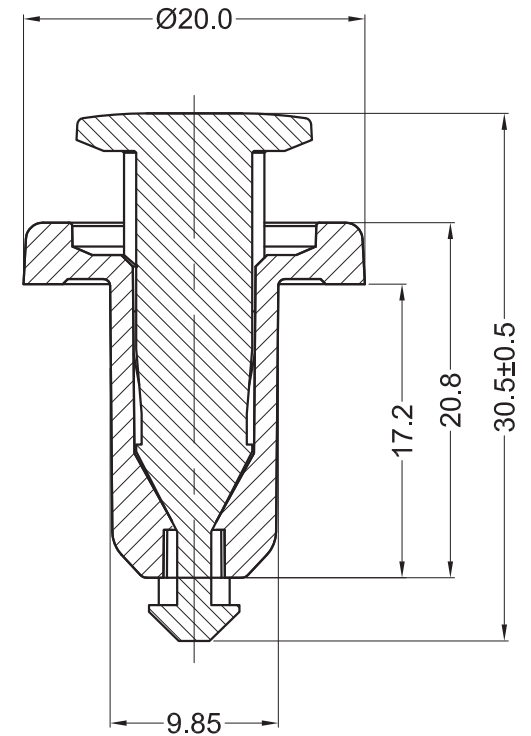
### Body



### Pin



### Assembly Part



#### Notes:

1. Material: POM UL94HB;
2. Color: Black;
3. RoHS Compliant;
4. Hole: Ø10.0±0.08mm;  
Panel Thickness: 7.0-8.0mm.

Americom GmbH  
<https://americom.de>

**americom**  
 Komponenten die verbinden

Americom GmbH <a href="https://americom.de">https://americom.de</a>						DATE	2021-9-18	DIMENSION	L ≤ 4	TOLERANCE	±0.10
TITLE	PUSH LOCK RIVETS					SCALE	FIT	L ≤ 4	±0.10		
ARTICLE NO.	GA9917B	MOLD NO.	S0563/S0564/S1181/S1182	DRAW	PLK	UNIT	MM	4 < L ≤ 15	±0.20		
PART NO.	10029	MATERIAL	SEE NOTES	DESIGN	PLK	VERSION	A0	15 < L ≤ 50	±0.30		
DWG NO.	E1041	COLOR	SEE NOTES	APPROVAL	FDL	VIEW		50 < L ≤ 100	±0.40		