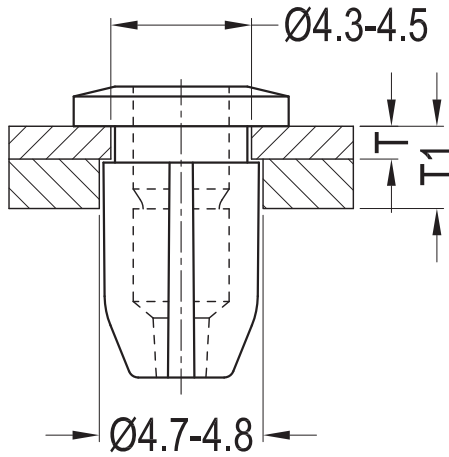
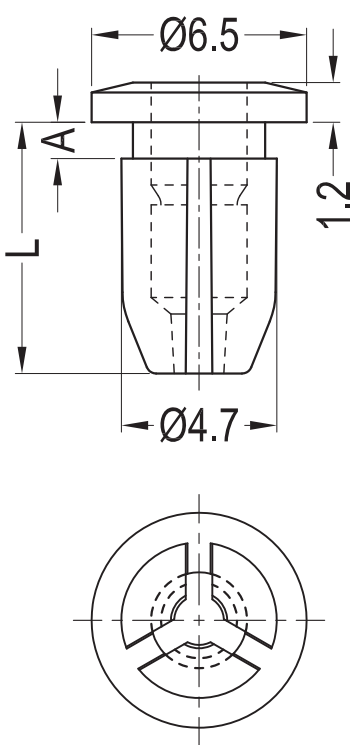
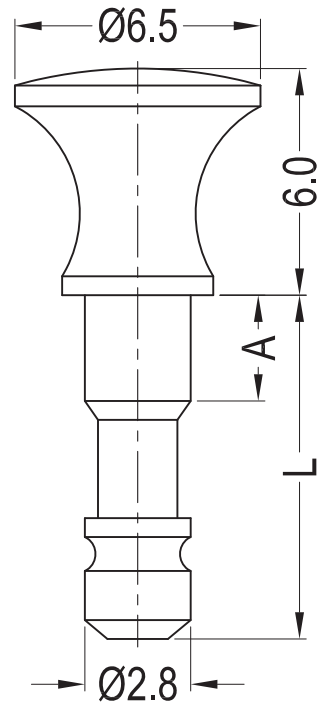


# GSLG-S



# GSLPB-S



**Notes:**

- 1. Material:  
PC UL94 V2(Grommet);  
PA6 UL94 V2(Mating Plunger);
- 2. RoHS Compliant;

Style(Black/White/Green)		A	L	T	T1	Style(Black/White/Green)		A	L
Grommet:GSLG						Mating Plunger:GSLPB			
1SB/1SW/1S-GR	20489/20490/20491	1.1	7.6	1.0	2.0-4.0	1SB/1SW/1S-GR	20508/20509/20510	2.8	9.1
2SB/2SW	20492/20493	1.6	8.1	1.5	2.5-4.5	2SB/2SW	20511/20512	3.3	9.6

Americom GmbH  
<https://americom.de>



DATE: 2013-4-17      DIMENSION: TOLERANCE

TITLE	SNAP LATCH					SCALE	FIT	L ≤ 4	±0.10
PART NAME	GSLG-S&GSLPB-S	MOLD NO.	/	DRAW	PLK	UNIT	MM	4 < L ≤ 15	±0.20
PART NO.	SEE TABLE	MATERIAL	SEE NOTES	DESIGN	PLK	VERSION	A0	15 < L ≤ 50	±0.30
DWG NO.	E2100	COLOR	SEE TABLE	APPROVAL	FDL	VIEW		50 < L ≤ 100	±0.40