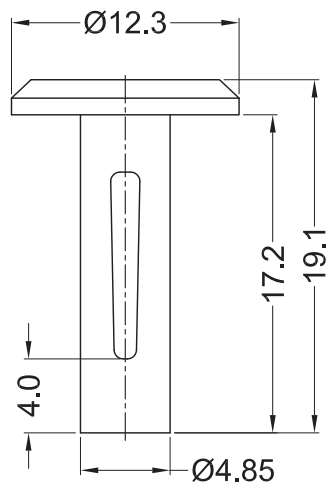
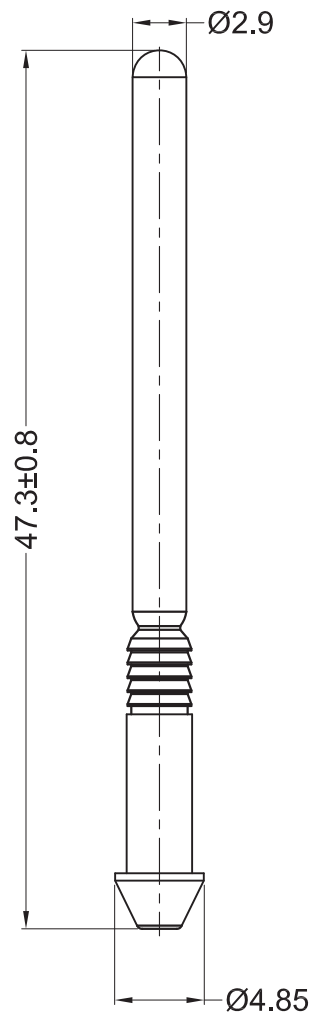


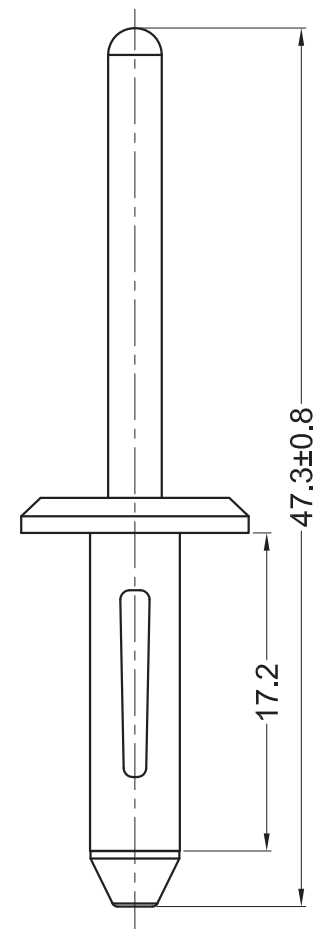
### Body



### Pin


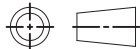


### Assembly Part



#### Notes:

1. Material: PA6 UL94V2 (Body)  
POM UL94HB (Pin);
2. Color: Black;
3. RoHS Compliant;
4. Hole:  $\text{Ø}5.1_{-0}^{+0.1}$  mm;  
Panel Thickness: 3.1-5.5 mm.

Americom GmbH <a href="https://americom.de">https://americom.de</a>						 Komponenten die verbinden		DATE	2021-9-13	DIMENSION	TOLERANCE
TITLE	BLIND RIVETS					SCALE	FIT	$L \leq 4$	$\pm 0.10$		
PART NAME	GA-CR50-48B-01	MOLD NO.	S0606/607	DRAW	JF	UNIT	MM	$4 < L \leq 15$	$\pm 0.20$		
PART NO.	20838	MATERIAL	SEE NOTES	DESIGN	JF	VERSION	A0	$15 < L \leq 50$	$\pm 0.30$		
DWG NO.	E2213	COLOR	SEE NOTES	APPROVAL	FDL	VIEW		$50 < L \leq 100$	$\pm 0.40$		