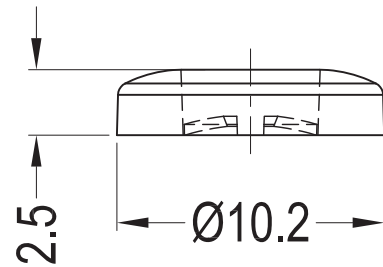
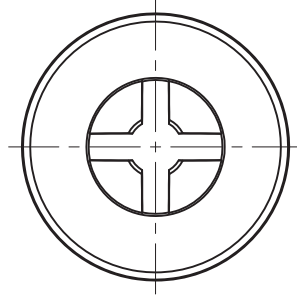
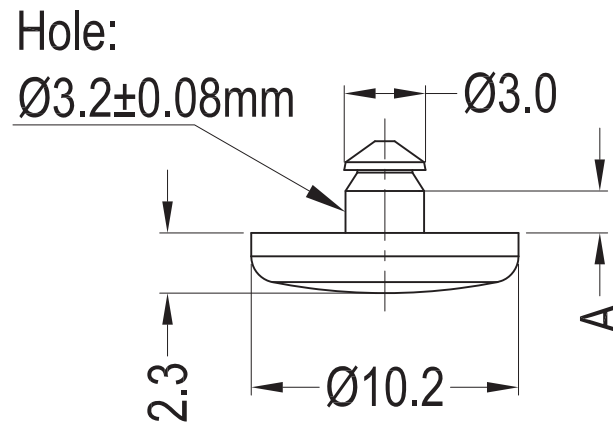
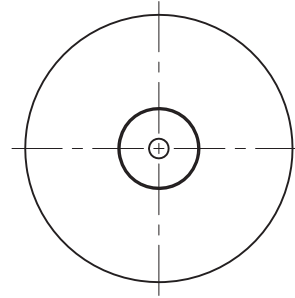


GMBRR1



GMBRP



Part No.	Article No.	A	Panel Thickness Max
20922	GMBRR1-01	-	-
20923	GMBRP-030-01	1.6	1.2
20924	GMBRP-062-01	2.41	2.0
20925	GMBRP-100-01	3.38	3.0
20926	GMBRP-125-01	4.01	3.5
20927	GMBRP-187-01	5.59	5.1
20928	GMBRP-250-01	7.19	6.7

Female part sold separately. This one part accomodates all sizes in the GMBRP series.To order,use part number GMBRR1-01

Notes:

- 1.Material:PA66 UL94 V2;
- 2.Color:Natural;
- 3.RoHS Compliant;

Americom GmbH https://americom.de						americom Komponenten die verbinden		DATE	2021-9-18	DIMENSION	TOLERANCE
TITLE	MINI BARBED RIVET					SCALE	FIT	L ≤ 4	±0.10		
ARTICLE NO.	GMBRR1 & GMBRP	MOLD NO.	S0801/2	DRAW	PLK	UNIT	MM	4 < L ≤ 15	±0.20		
PART NO.	SEE TABLE	MATERIAL	SEE NOTES	DESIGN	PLK	VERSION	A0	15 < L ≤ 50	±0.30		
DWG NO.	E2264	COLOR	SEE NOTES	APPROVAL	FDL	VIEW		50 < L ≤ 100	±0.40		