

Fig.1

Open

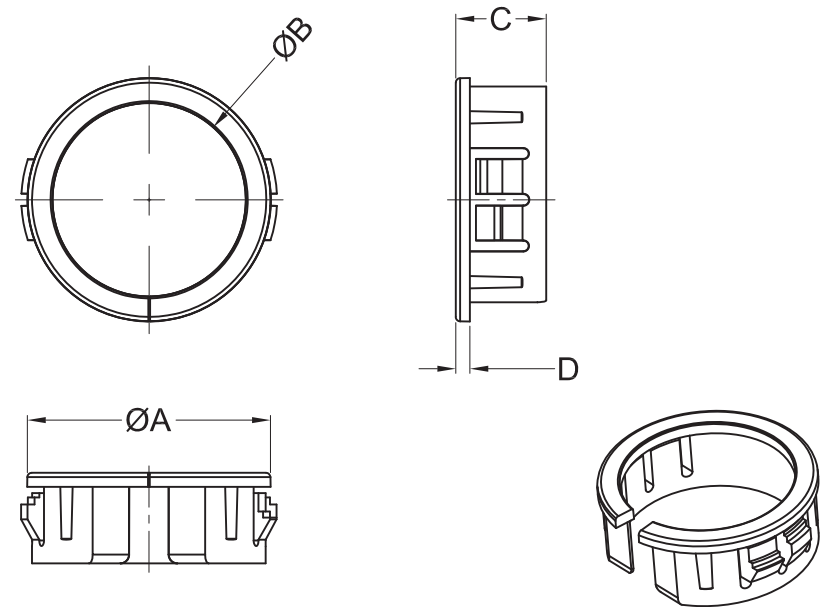


Fig.2

Open

Notes:

- 1.Material:PA66 UL94V2;
- 2.Color:Black;
- 3.RoHS Compliant;

Part No.	Part Name	A	Max Holding Bundle Dia. B	C	D	Hole Dia.	Panel Thickness	Fig.
60705	GPGSB-0609A	11.4	6.6	6.5	1.3	9.5±0.08	0.7-1.7	1
60706	GPGSB-1A	10.7	6.7	9.9	1.3		0.8-3.2	
60707	GPGSB-2A	12.7	7.9	10.3	1.6		0.8-3.2	
60708	GPGSB-1013A	14.9	9.0	10.5	1.5		0.8-3.5	
60709	GPGSB-1316A	18.0	10.5	10.5	1.6	16.0±0.08	1.2-3.5	
60710	GPGSB-1519A	20.6	14.5	11.0	1.3	19.0±0.08	1.2-3.3	2
60711	GPGSB-4A	26.6	20.6	10.3	1.6	25.4±0.08	0.8-3.2	
60712	GPGSB-5A	29.4	22.2			27.8±0.08		
60713	GPGSB-6A	34.1	26.6			31.8±0.08		
60714	GPGSB-7A	37.3	29.7			34.9±0.08		
60715	GPGSB-8A	40.1	31.7	10.7	38.1±0.08			

Americom GmbH https://americom.de								DATE	2014-9-15	DIMENSION	TOLERANCE
TITLE	OPEN BUSHES					SCALE	FIT	L ≤ 4	±0.10		
PART NAME	GPGSB	MOLD NO.	S0791-796	DRAW	PLK	UNIT	MM	4 < L ≤ 15	±0.20		
PART NO.	SEE TABLE	MATERIAL	SEE NOTES	DESIGN	PLK	VERSION	A0	15 < L ≤ 50	±0.30		
DWG NO.	E6221	COLOR	SEE NOTES	APPROVAL	FDL	VIEW		50 < L ≤ 100	±0.40		