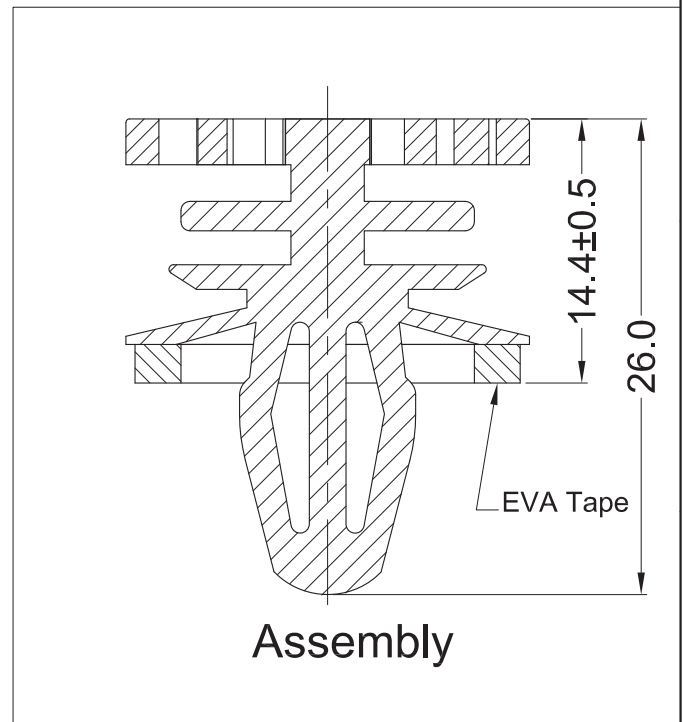


Notes:

1. Material: POM UL94HB+EVA Tape;
2. Color: Black;
3. RoHS Compliant;
4. Hole: $\text{Ø}8.5 \pm 0.08 \text{ mm}$;
Panel Thickness: 1.0 mm;



Americom GmbH
<https://americom.de>

americom
 Komponenten die verbinden

DATE	2010-11-16	DIMENSION	TOLERANCE
------	------------	-----------	-----------

TITLE	DOOR CLIPS/BARBED PUSH FASTENERS					SCALE	FIT	L ≤ 4	±0.10
PART NAME	GA-E-222-PUR	MOLD NO.	S0339	DRAW	JF	UNIT	MM	4 < L ≤ 15	±0.20
PART NO.	10011	MATERIAL	SEE NOTES	DESIGN	JF	VERSION	A0	15 < L ≤ 50	±0.30
DWG NO.	E1021	COLOR	SEE NOTES	APPROVAL	FDL	VIEW		50 < L ≤ 100	±0.40