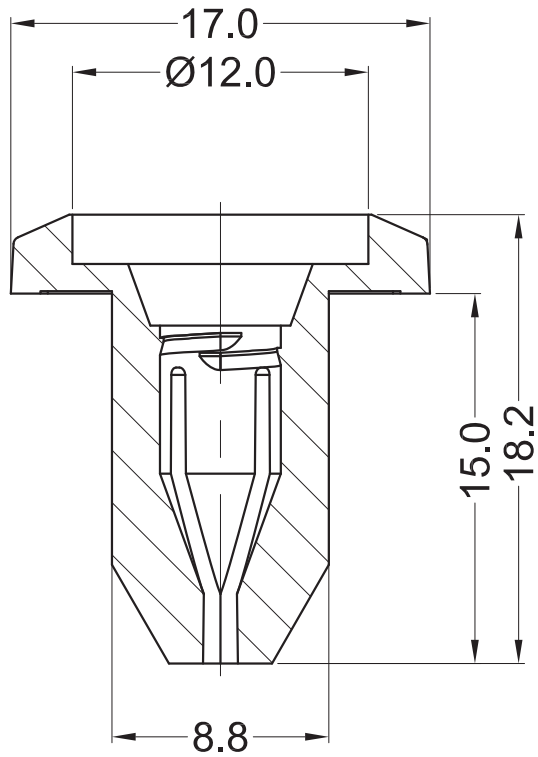
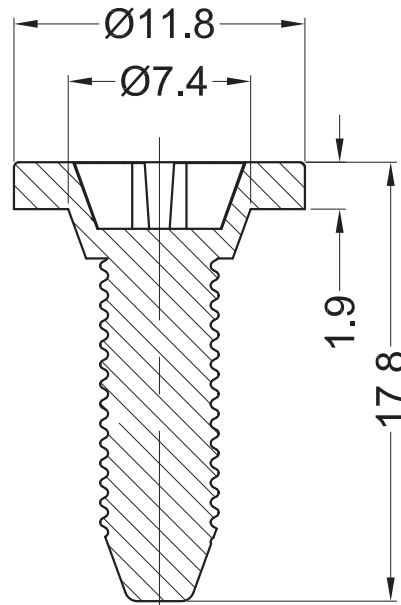


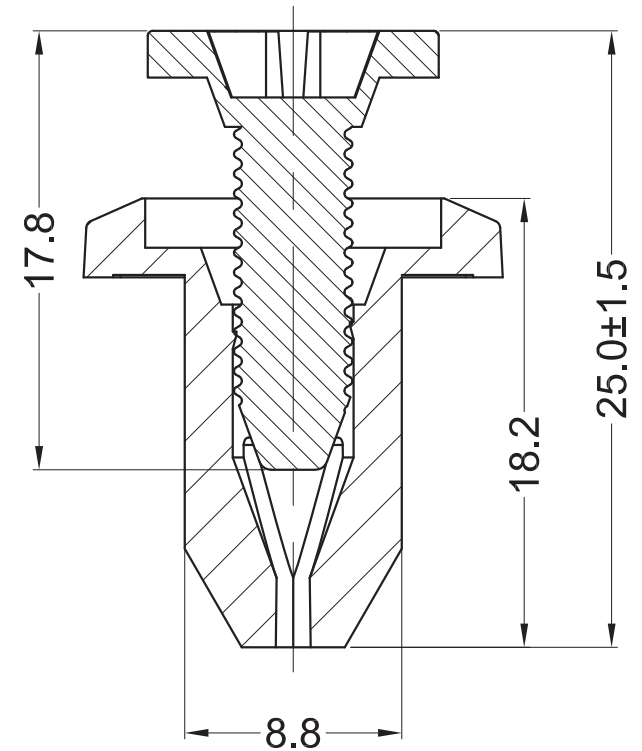
Body



Pin




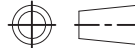
Assembly Part



Part No.	Article No.	Color
10008	GUSR67150G	Grey
10009	GUSR67150B	Black

Notes:

1. Material: PVC Flame Retardant;
2. RoHS Compliant;
3. Hole: $\square 9.0 \times 9.0 \text{mm} (\pm 0.08)$;
Panel Thickness: 6.7mm;

Americom GmbH https://americom.de						 Komponenten die verbinden		DATE	2021-9-18	DIMENSION	TOLERANCE
TITLE	SCREW RIVETS					SCALE	FIT	$L \leq 4$	± 0.10		
ARTICLE NO.	GUSR67150	MOLD NO.	S0201/S0202	DRAW	PLK	UNIT	MM	$4 < L \leq 15$	± 0.20		
PART NO.	SEE TABLE	MATERIAL	SEE NOTES	DESIGN	PLK	VERSION	A0	$15 < L \leq 50$	± 0.30		
DWG NO.	E1018	COLOR	SEE TABLE	APPROVAL	FDL	VIEW		$50 < L \leq 100$	± 0.40		