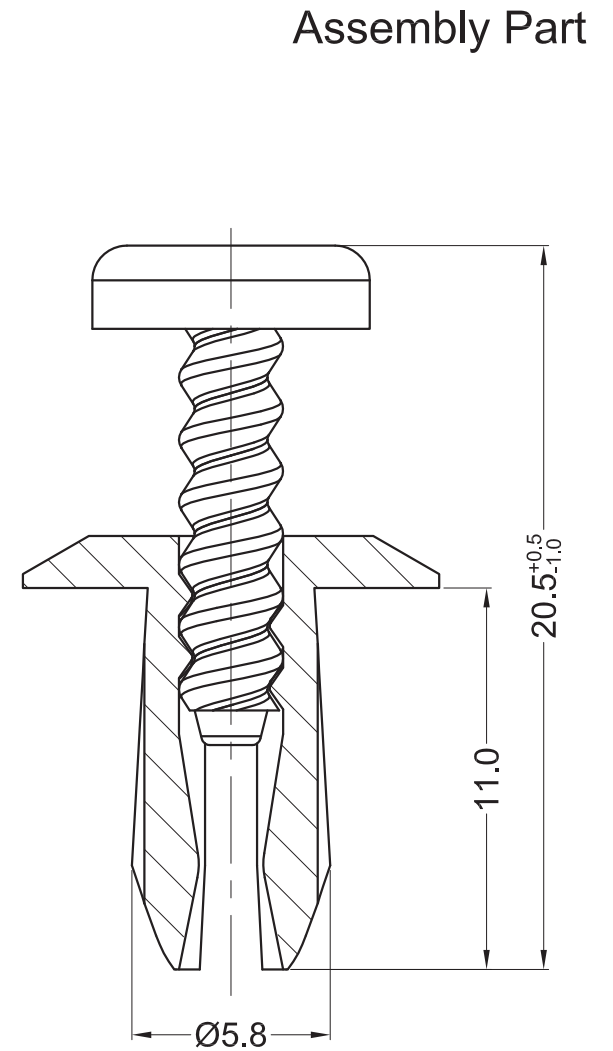
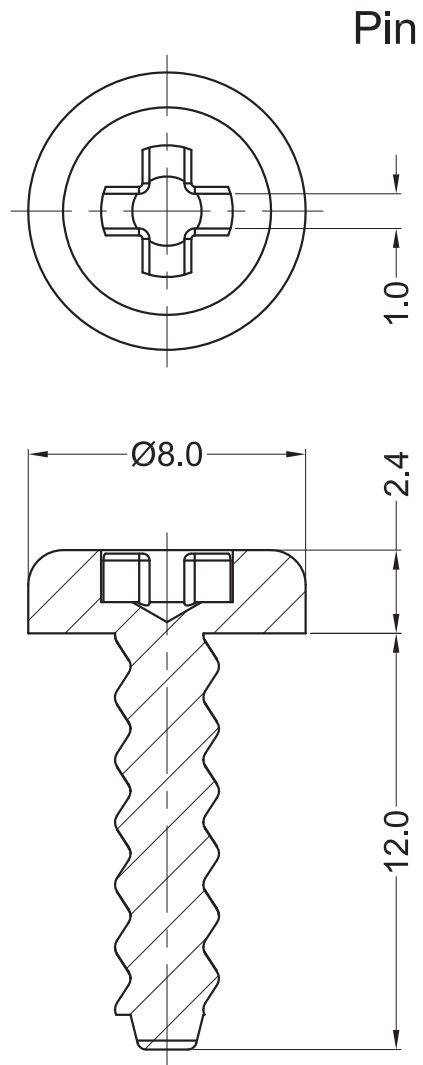


Notes:

1. Material: PA66 UL94V2;
2. Color: Black;
3. RoHS Compliant;
4. Hole:  $\text{Ø}5.0 \pm 0.08\text{mm}$ ;  
Panel Thickness: 1.5-6.0mm.



Americom GmbH <a href="https://americom.de">https://americom.de</a>						americom Komponenten die verbinden		DATE	2021-9-26	DIMENSION	TOLERANCE
TITLE	SCREW RIVETS					SCALE	FIT	$L \leq 4$	$\pm 0.10$		
ARTICLE NO.	GUSR1131NEW	MOLD NO.	S0493	DRAW	PLK	UNIT	MM	$4 < L \leq 15$	$\pm 0.20$		
PART NO.	10024	MATERIAL	SEE NOTES	DESIGN	PLK	VERSION	A0	$15 < L \leq 50$	$\pm 0.30$		
DWG NO.	E1032	COLOR	SEE NOTES	APPROVAL	FDL	VIEW		$50 < L \leq 100$	$\pm 0.40$		