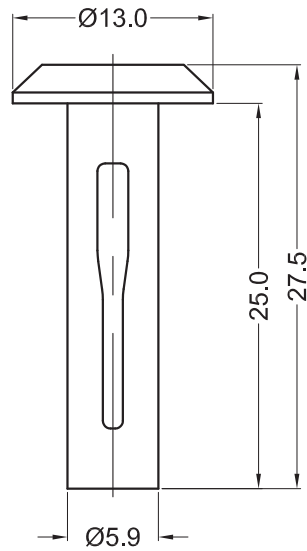
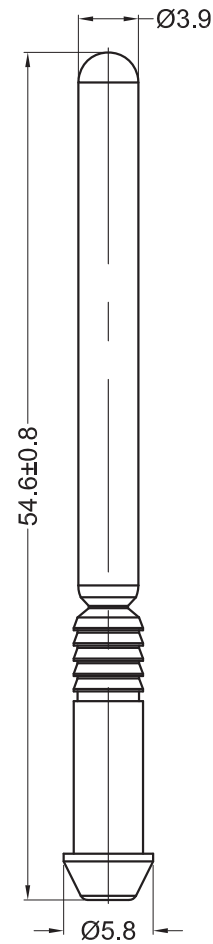


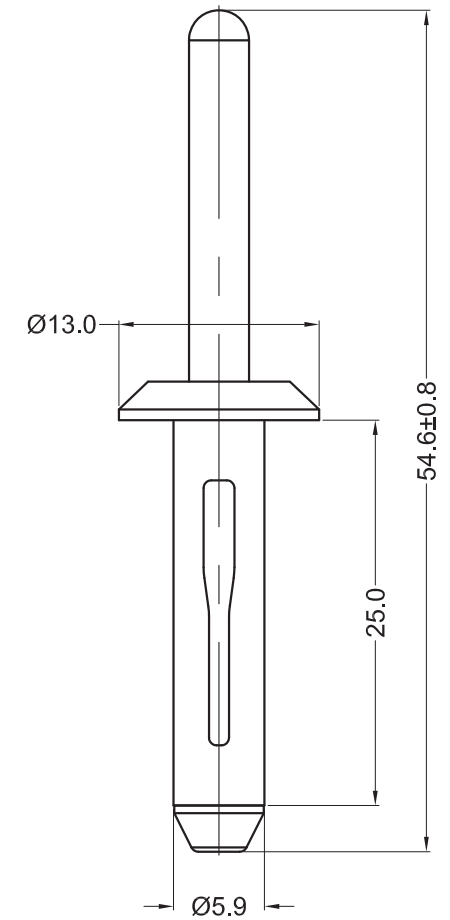
Body



Pin



Assembly Part



Notes:

1. Material: PA6 UL94V2 (Body)
POM UL94HB (Pin);
2. Color: Black;
3. RoHS Compliant;
4. Hole: $\text{Ø}6.0^{+0.1}_0$ mm;
Panel Thickness: 4.0-8.5 mm.

Americom GmbH
<https://americom.de>

americom
Komponenten die verbinden

| Americom GmbH https://americom.de | | | | | | DATE | 2012-9-27 | DIMENSION | TOLERANCE |
|------------------------------------------------------------------------|--------------|----------|-----------|----------|-----|---------|-----------|-------------------|------------|
| TITLE | BLIND RIVETS | | | | | SCALE | FIT | $L \leq 4$ | ± 0.10 |
| PART NAME | G4907293D | MOLD NO. | S0661/662 | DRAW | ZHR | UNIT | MM | $4 < L \leq 15$ | ± 0.20 |
| PART NO. | 20706 | MATERIAL | SEE NOTES | DESIGN | ZHR | VERSION | A0 | $15 < L \leq 50$ | ± 0.30 |
| DWG NO. | E2241 | COLOR | SEE NOTES | APPROVAL | FDL | VIEW | | $50 < L \leq 100$ | ± 0.40 |